

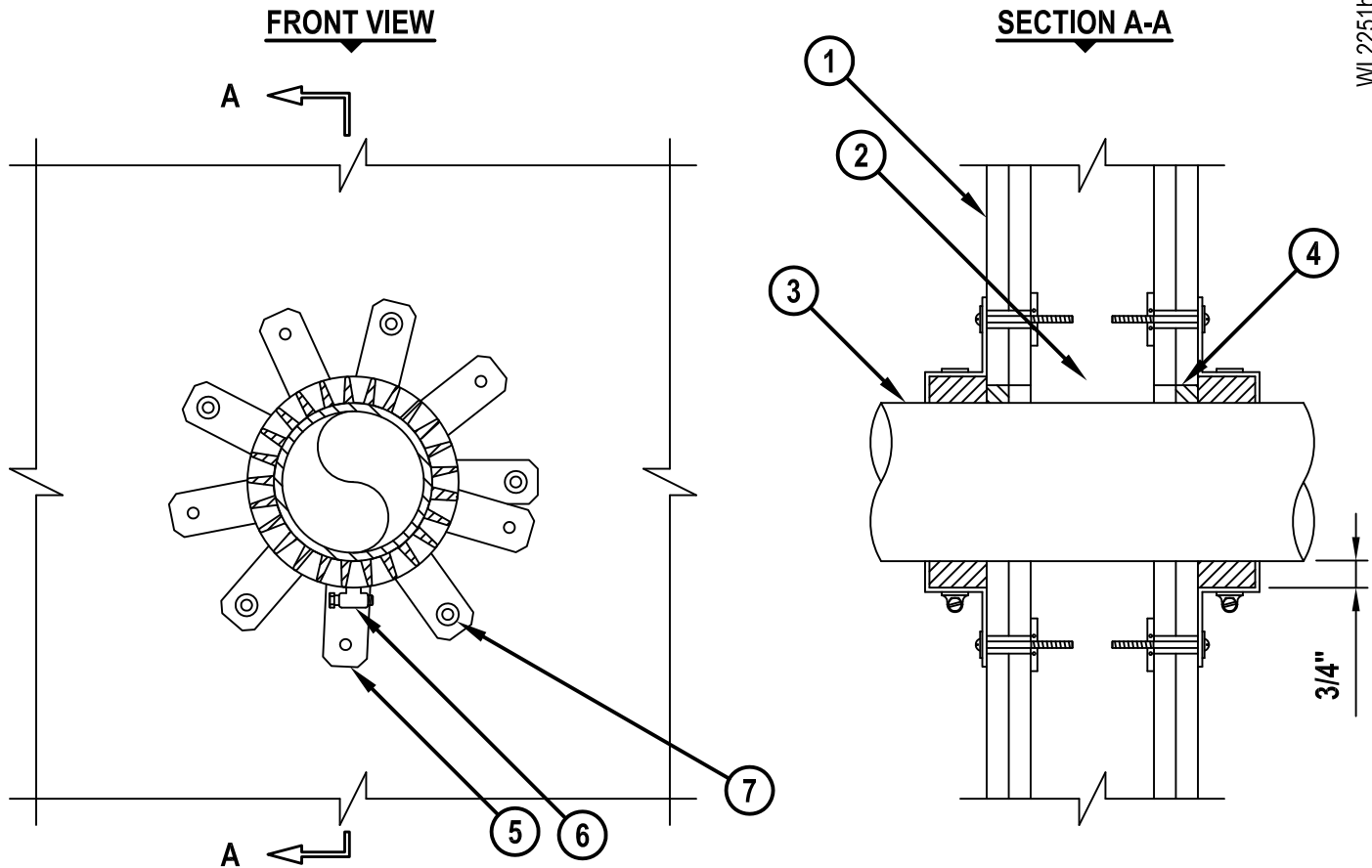
UL SYSTEM NO. W-L-2251

# PLASTIC PIPE THROUGH GYPSUM WALL ASSEMBLY

F-RATING = 1 AND 2-HR.

T-RATING = 0-HR.

WL2251b.011215



1. GYPSUM WALL ASSEMBLY (UL/cUL CLASSIFIED U300 OR U400 SERIES) (1-HR. OR 2-HR. FIRE-RATING) (2-HR. SHOWN).
2. [NOT SHOWN] WOOD STUDS TO CONSIST OF NOMINAL 2" x 4" LUMBER. STEEL STUDS TO BE MINIMUM 2-1/2" WIDE.
3. PENETRATING ITEM TO BE ONE OF THE FOLLOWING (ALSO SEE NOTE NO. 3 BELOW) :
  - A. MAXIMUM 4" NOMINAL DIAMETER PVC PLASTIC PIPE (CLOSED OR VENTED PIPING SYSTEM).
  - B. MAXIMUM 4" NOMINAL DIAMETER CPVC PLASTIC PIPE (CLOSED PIPING SYSTEM).
4. MINIMUM 5/8" DEPTH HILTI FS-ONE MAX OR FS-ONE INTUMESCENT FIRESTOP SEALANT.
5. HILTI RETAINING COLLAR WRAPPED AROUND PIPE, OVERLAPPING MINIMUM 2", AND COMPLETELY FILLED WITH HILTI FS-ONE MAX OR FS-ONE INTUMESCENT FIRESTOP SEALANT.
6. NOMINAL 1/2" WIDE STAINLESS STEEL HOSE COLLAR CLAMP FASTENED AT MID-HEIGHT OF RETAINING COLLAR.
7. HILTI 1/4" TOGGLER BOLTS TO FASTEN EVERY OTHER TAB OF RETAINING COLLAR.

NOTES : 1. MAXIMUM DIAMETER OF OPENING = 5".  
2. ANNULAR SPACE = MINIMUM 0", MAXIMUM 1/2".  
3. PVC = SCHEDULE 40; CELLULAR OR SOLID CORE; CPVC = SDR 13.5.



HILTI, Inc.  
Tulsa, Oklahoma USA (800) 879-8000

Sheet	1 of 1
Scale	3/16" = 1"
Date	Jan. 12, 2015

Drawing No.

**WL**  
**2251b**

*Saving Lives through Innovation and Education*