

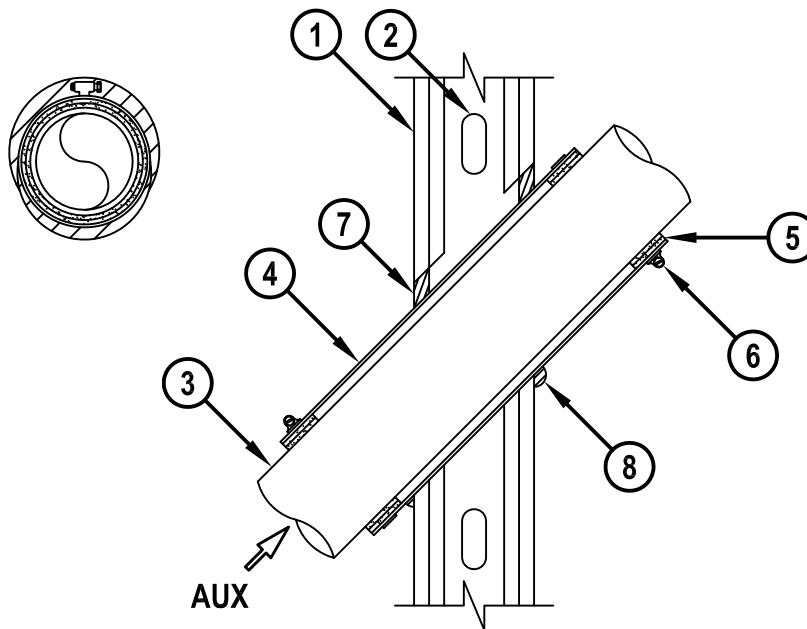
UL SYSTEM NO. W-L-2340
PLASTIC PIPE THROUGH GYPSUM WALL ASSEMBLY

F-RATING = 1-HR. OR 2-HR.

T-RATING = 1-HR.

AUXILIARY VIEW

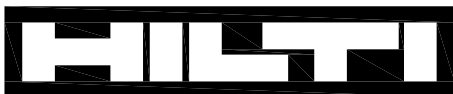
CROSS-SECTIONAL VIEW



WL2340c.011215

1. GYPSUM WALL ASSEMBLY (UL CLASSIFIED U400 SERIES) (1-HR. OR 2-HR. FIRE-RATING) (2-HR. SHOWN).
2. STEEL STUDS TO BE MINIMUM 2-1/2" WIDE.
3. PENETRATING ITEM TO BE ONE OF THE FOLLOWING AND INSTALLED AT AN ANGLE NOT GREATER THAN 45° FROM PERPENDICULAR :
 - A. MAXIMUM 4" NOMINAL DIAMETER PVC PLASTIC PIPE (CELLULAR OR SOLID CORE).
 - B. MAXIMUM 4" NOMINAL DIAMETER ABS PLASTIC PIPE (CELLULAR OR SOLID CORE).
 - C. MAXIMUM 4" NOMINAL DIAMETER CPVC PLASTIC PIPE (CLOSED PIPING SYSTEM ONLY).
4. MAXIMUM 5-1/4" NOMINAL DIAMETER SHEET METAL SLEEVE (MIN. 28 GA.) HAVING A MINIMUM 1" LAP ALONG LONGITUDINAL SEAM. LENGTH OF SLEEVE TO EXTEND 2" BEYOND EACH SURFACE OF WALL.
5. HILTI CP 648E WRAP STRIP (NOMINAL 3/16" THICK x 1-3/4" WIDE) CONTINUOUSLY WRAPPED AROUND THE OUTER CIRCUMFERENCE OF THE PIPE, COVERING TWO TIMES, AND HELD IN PLACE WITH TAPE. WRAP STRIP IS INSTALLED FLUSH WITH ENDS OF SHEET METAL SLEEVE.
6. NOMINAL 1/2" WIDE STAINLESS STEEL HOSE CLAMP(S) FASTENED AROUND SHEET METAL SLEEVE AT THE CENTER OF EACH WRAP STRIP.
7. MINIMUM 5/8" DEPTH HILTI FS-ONE MAX OR FS-ONE INTUMESCENT FIRESTOP SEALANT.
8. MINIMUM 1/2" BEAD HILTI FS-ONE MAX OR FS-ONE INTUMESCENT FIRESTOP SEALANT APPLIED AT POINT OF CONTACT.

NOTES : 1. MAXIMUM DIAMETER OF OPENING = 6".
 2. ANNULAR SPACE BETWEEN SLEEVE AND PERIPHERY OF OPENING = MIN. 0", MAX. 3/4".
 3. CLOSED OR VENTED PIPING SYSTEM (PVC & ABS = SCHEDULE 40; CPVC = SDR 13.5).



Hilti Firestop Systems

HILTI, Inc.
 Tulsa, Oklahoma USA (800) 879-8000

Sheet	1 of 1
Scale	1/8" = 1"
Date	Jan. 12, 2015

Drawing No.

**WL
2340c**

Saving Lives through Innovation and Education