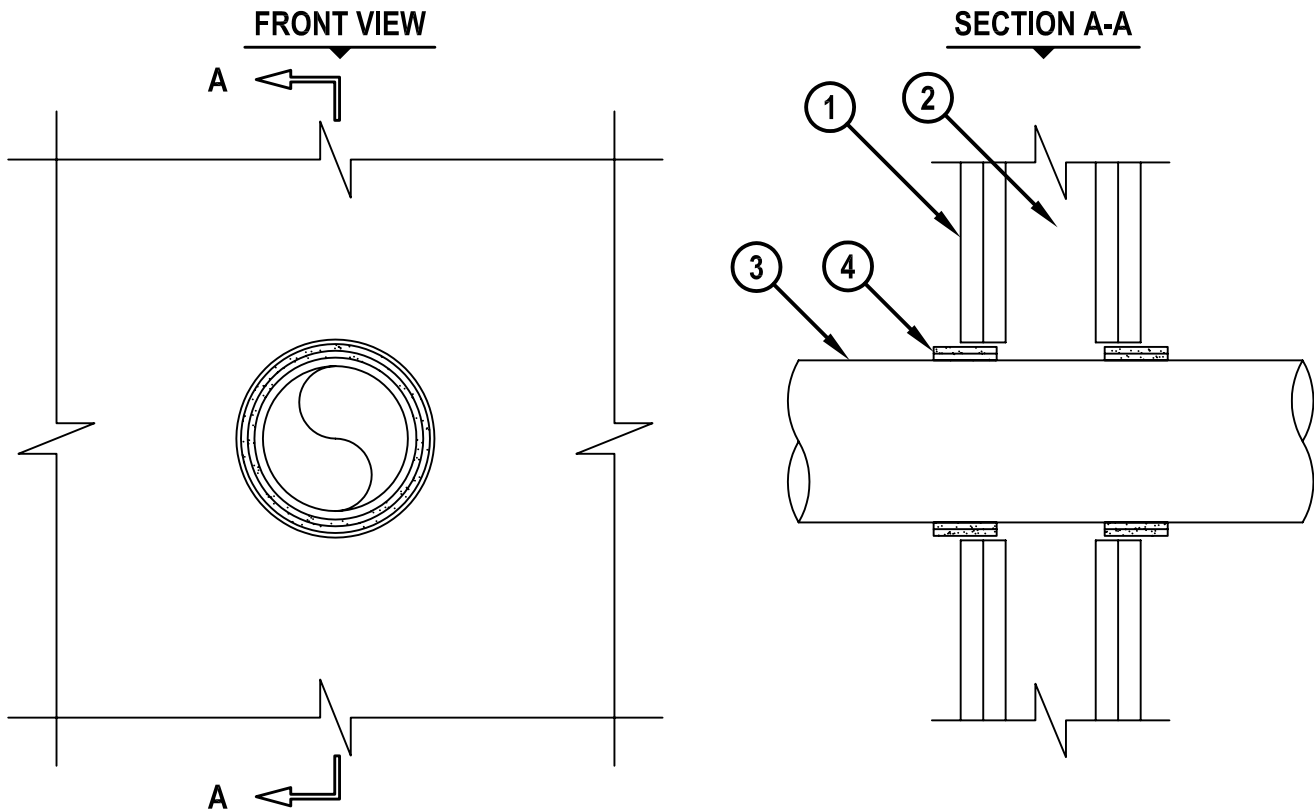


PLASTIC PIPE THROUGH GYPSUM WALL ASSEMBLY

F-RATING = 2-HR.

T-RATING = 2-HR.

WL2344b.062205



1. GYPSUM WALL ASSEMBLY (UL CLASSIFIED U300 OR U400 SERIES) (2-HR. FIRE-RATING).
2. [NOT SHOWN] WOOD STUDS TO CONSIST OF NOMINAL 2" x 4" LUMBER. STEEL STUDS TO BE MINIMUM 2-1/2" WIDE.
3. PENETRATING ITEM TO BE ONE OF THE FOLLOWING :
 - A. MAXIMUM 4" NOMINAL DIAMETER PVC PLASTIC PIPE (CELLULAR OR SOLID CORE).
 - B. MAXIMUM 4" NOMINAL DIAMETER ABS PLASTIC PIPE (CELLULAR OR SOLID CORE).
 - C. MAXIMUM 4" NOMINAL DIAMETER CPVC PLASTIC PIPE (CLOSED PIPING SYSTEM ONLY).
4. HILTI CP 648E WRAP STRIP (NOMINAL 3/16" THICK x 1-3/4" WIDE) INDIVIDUALLY WRAPPED AROUND THE OUTER CIRCUMFERENCE OF THE PIPE, COVERING TWO TIMES, AND HELD IN PLACE WITH TAPE OR TIE WIRE. WRAP STRIP SLID INTO ANNULAR SPACE, SUCH THAT 3/4" OF THE WRAP STRIP PROTRUDES FROM BOTH SURFACES OF WALL.

NOTES : 1. MAXIMUM DIAMETER OF OPENING = 5-1/2".
 2. ANNULAR SPACE = NOMINAL 3/8" TO 1/2".
 3. CLOSED OR VENTED PIPING SYSTEM (PVC & ABS = SCHEDULE 40; CPVC = SDR 13.5).

	HILTI, Inc. Tulsa, Oklahoma USA (918) 252-6000	Sheet 1 of 1	Drawing No. WL 2344b
		Scale 3/16" = 1"	
		Date June 22, 2005	
Saving Lives through Innovation and Education			