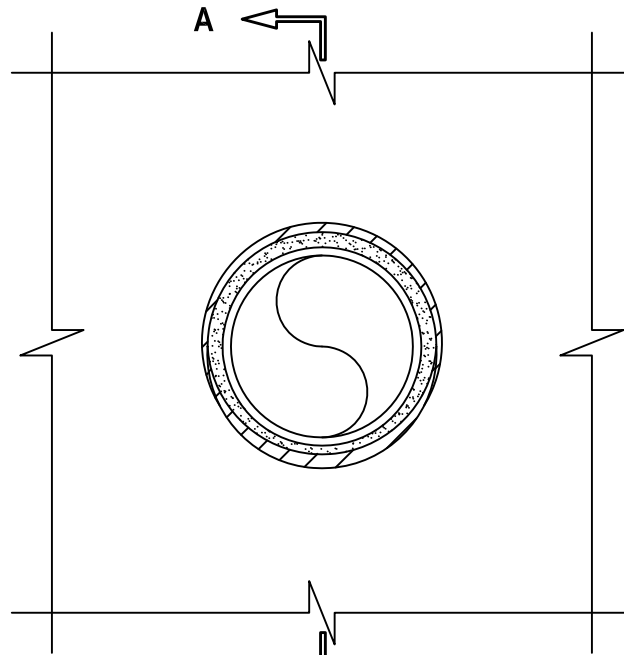


UL SYSTEM NO. W-L-2406
PLASTIC PIPE THROUGH GYPSUM WALL ASSEMBLY

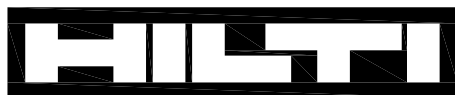
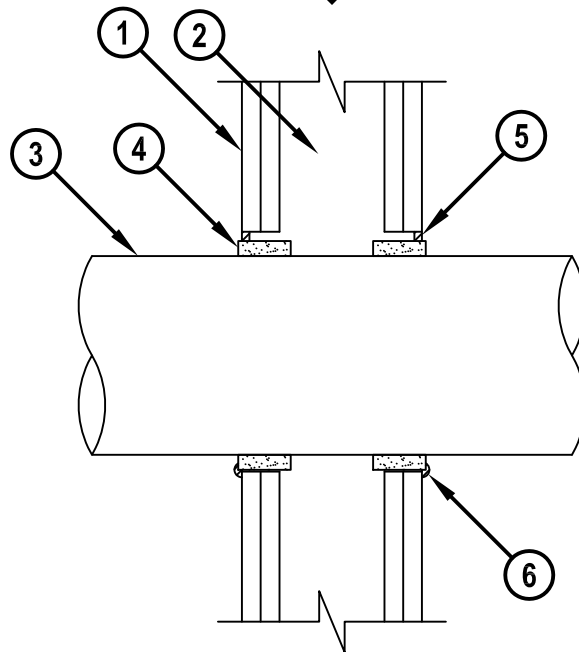
F-RATING = 1-HR. OR 2-HR.
 T-RATING = 0-HR., 1/2-HR., OR 3/4-HR.
 L-RATING AT AMBIENT = 1.2 CFM / SQ FT
 L-RATING AT 400°F = LESS THAN 1 CFM / SQ FT

WL2406d.011215

FRONT VIEW



SECTION A-A



Hilti Firestop Systems

HILTI, Inc.
 Tulsa, Oklahoma USA (800) 879-8000

| | |
|-------|---------------|
| Sheet | 1 of 2 |
| Scale | 5/32" = 1" |
| Date | Jan. 12, 2015 |

Drawing No.

**WL
2406d**

Saving Lives through Innovation and Education

PLASTIC PIPE THROUGH GYPSUM WALL ASSEMBLY

F-RATING = 1-HR. OR 2-HR.
 T-RATING = 0-HR., 1/2-HR., OR 3/4-HR.
 L-RATING AT AMBIENT = 1.2 CFM / SQ FT
 L-RATING AT 400°F = LESS THAN 1 CFM / SQ FT

WL2406d.011215

1. GYPSUM WALL ASSEMBLY (UL CLASSIFIED U300 OR U400 SERIES) (1-HR. OR 2-HR. FIRE-RATING) (2-HR. SHOWN).
2. (NOT SHOWN). WOOD STUDS TO CONSIST OF NOMINAL 2" X 4" LUMBER. STEEL STUDS TO BE MINIMUM 3-1/2" WIDE.
3. PENETRATING ITEM TO BE ONE OF THE FOLLOWING :
 - A. MAXIMUM 6" NOMINAL DIAMETER PVC PLASTIC PIPE (CELLULAR OR SOLID CORE).
 - B. MAXIMUM 4" NOMINAL DIAMETER ABS PLASTIC PIPE (CELLULAR OR SOLID CORE).
 - C. MAXIMUM 6" NOMINAL DIAMETER CPVC PLASTIC PIPE (CLOSED PIPING SYSTEM).
4. HILTI CP 648S FIRESTOP WRAP STRIP WRAPPED CONTINUOUSLY AROUND CIRCUMFERENCE OF PIPE AND SECURED IN PLACE WITH INTEGRATED FASTENING TAPE, SUCH THAT THE WRAP STRIP PROTRUDES 1/8" FROM WALL SURFACE.
5. MINIMUM 1/4" DEPTH HILTI FS-ONE MAX OR FS-ONE INTUMESCENT FIRESTOP SEALANT (OPTIONAL IN 1-HR. WALLS ON PIPES 4" OR SMALLER, AND IN 2-HR. WALLS ON PIPES 3" AND SMALLER).
6. MINIMUM 1/4" BEAD HILTI FS-ONE MAX OR FS-ONE INTUMESCENT FIRESTOP SEALANT AT WRAP STRIP/GYPSUM WALL INTERFACE (OPTIONAL IN 1-HR. WALLS ON PIPES 4" OR SMALLER, AND IN 2-HR. WALLS ON PIPES 3" AND SMALLER).

| NOMINAL PIPE DIAMETER | TYPE OF PIPE | PRODUCT DESCRIPTION | MAXIMUM DIAMETER OF OPENING | ANNULAR SPACE | |
|-----------------------|--------------|---------------------|-----------------------------|---------------|---------|
| | | | | MINIMUM | MAXIMUM |
| 1-1/2" | ALL | CP 648S - 1.5" | 2-3/8" | 3/16" | 5/16" |
| 2" | ALL | CP 648S - 2" | 3" | 3/16" | 5/16" |
| 3" | ALL | CP 648S - 3" | 4" | 3/16" | 5/16" |
| 4" | ALL | CP 648S - 4" | 5-3/8" | 3/8" | 1/2" |
| 6" | PVC AND CPVC | CP 648S -6" | 8" | 9/16" | 13/16" |

NOTES : 1. CLOSED OR VENTED PIPING SYSTEM (PVC, ABS = SCHEDULE 40; CPVC = SDR 13.5).
 2. L-RATINGS ONLY APPLY WHEN HILTI FS-ONE MAX OR FS-ONE INTUMESCENT FIRESTOP SEALANT IS USED.



HILTI, Inc.
 Tulsa, Oklahoma USA (800) 879-8000

| | |
|-------|---------------|
| Sheet | 2 of 2 |
| Scale | - |
| Date | Jan. 12, 2015 |

Drawing No.
WL
2406d