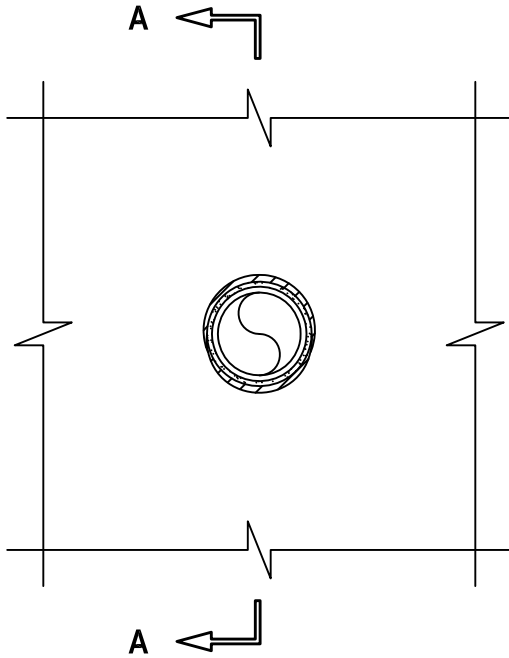


UL SYSTEM NO. W-L-2445  
**PLASTIC PIPE THROUGH GYPSUM WALL ASSEMBLY**

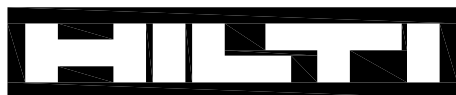
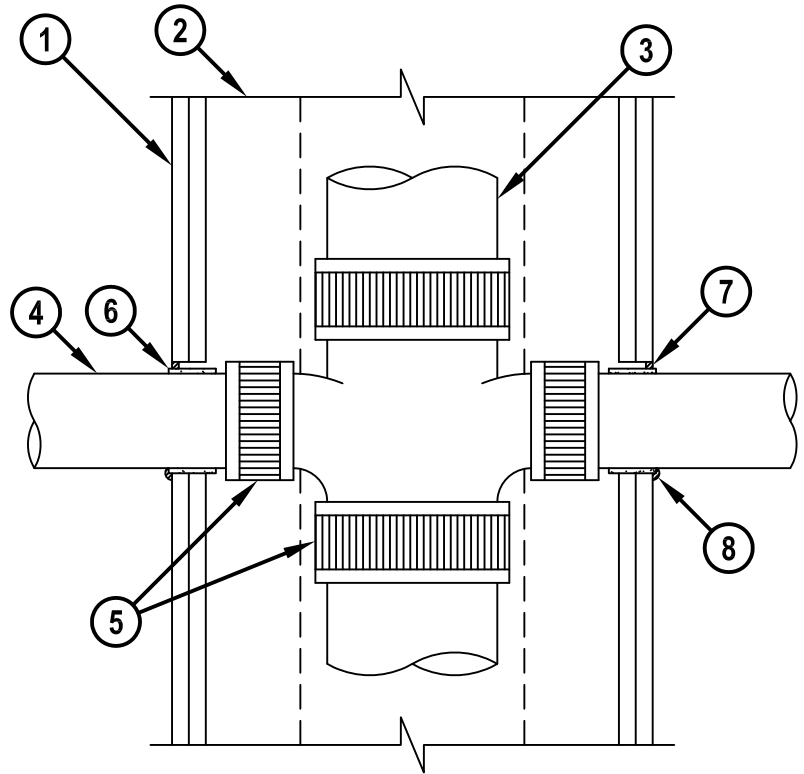
F-RATING = 1-HR. OR 2-HR.  
T-RATING = 1-HR., 1-3/4-HR., OR 2-HR.

WL2445c.011615

**FRONT VIEW**



**SECTION A-A**



**Hilti Firestop Systems**

HILTI, Inc.  
Tulsa, Oklahoma USA (800) 879-8000

Sheet 1 of 2

Scale 1/8" = 1"

Date Jan. 16, 2015

Drawing No.

**WL  
2445c**

*Saving Lives through Innovation and Education*

UL SYSTEM NO. W-L-2445  
**PLASTIC PIPE THROUGH GYPSUM WALL ASSEMBLY**

F-RATING = 1-HR. OR 2-HR.  
 T-RATING = 1-HR., 1-3/4-HR., OR 2-HR.

WL2445c.011615

1. GYPSUM WALL ASSEMBLY (UL CLASSIFIED U300, U400, OR V400 SERIES) (1-HR. OR 2-HR. FIRE-RATING) (2-HR. SHOWN).
2. SINGLE, DOUBLE OR STAGGERED STUDS. WOOD STUDS TO CONSIST OF MINIMUM 2 x 4 LUMBER. STEEL STUDS TO BE MINIMUM 3-1/2" WIDE. DEPTH OF STUD CAVITY TO BE MINIMUM 1" GREATER THAN THE DIAMETER OF CAST IRON SOIL STACK.
3. MAXIMUM 6" NOMINAL DIAMETER CAST IRON SOIL STACK.
4. PENETRATING ITEM TO BE ONE OF THE FOLLOWING :
  - A. MAXIMUM 6" NOMINAL DIAMETER PVC PLASTIC PIPE (CELLULAR OR SOLID CORE).
  - B. MAXIMUM 4" NOMINAL DIAMETER ABS PLASTIC PIPE (CELLULAR OR SOLID CORE).
  - C. MAXIMUM 6" NOMINAL DIAMETER CPVC PLASTIC PIPE (CLOSED PIPING SYSTEM ONLY).
5. COMPRESSION TYPE PIPE COUPLING WITH ELASTOMERIC GASKET AND A STAINLESS STEEL JACKET WITH STAINLESS STEEL BAND CLAMPS USED TO SECURE CAST IRON PIPE WITH NON-METALLIC PIPES.
6. HILTI CP 648 S FIRESTOP WRAP STRIP WRAPPED CONTINUOUSLY AROUND CIRCUMFERENCE OF PIPE AND SECURED IN PLACE WITH INTEGRATED FASTENING TAPE, SUCH THAT THE WRAP STRIP PROTRUDES 1/8" FROM WALL SURFACE.
7. MINIMUM 1/4" DEPTH HILTI FS-ONE MAX OR FS-ONE INTUMESCENT FIRESTOP SEALANT (OPTIONAL IN 1-HR. WALLS).
8. MINIMUM 1/4" BEAD HILTI FS-ONE MAX OR FS-ONE INTUMESCENT FIRESTOP SEALANT AT WRAP STRIP/GYPSUM WALL INTERFACE (OPTIONAL IN 1-HR. WALLS).

NOMINAL PIPE DIAMETER	TYPE OF PIPE	PRDUCT DESCRIPTION	MAXIMUM DIAMETER OF OPENING	ANNULAR SPACE	
				MINIMUM	MAXIMUM
1-1/2"	ALL	CP648S - 1.5"	2-3/8"	3/16"	5/16"
2"	ALL	CP648S - 2"	3"	3/16"	5/16"
3"	ALL	CP648S - 3"	4"	3/16"	5/16"
4"	ALL	CP 648S - 4"	5-3/8"	3/8"	1/2"
6"	PVC, CPVC	CP 648S - 6"	8"	9/16"	13/16"

NOTE : CLOSED OR VENTED PIPING SYSTEM (PVC, ABS, = SCHEDULE 40, CPVC = SDR 13.5).



**Hilti Firestop Systems**

HILTI, Inc.  
 Tulsa, Oklahoma USA (800) 879-8000

Sheet	2 of 2
Scale	-
Date	Jan. 16, 2015

Drawing No.

WL  
2445c

*Saving Lives through Innovation and Education*