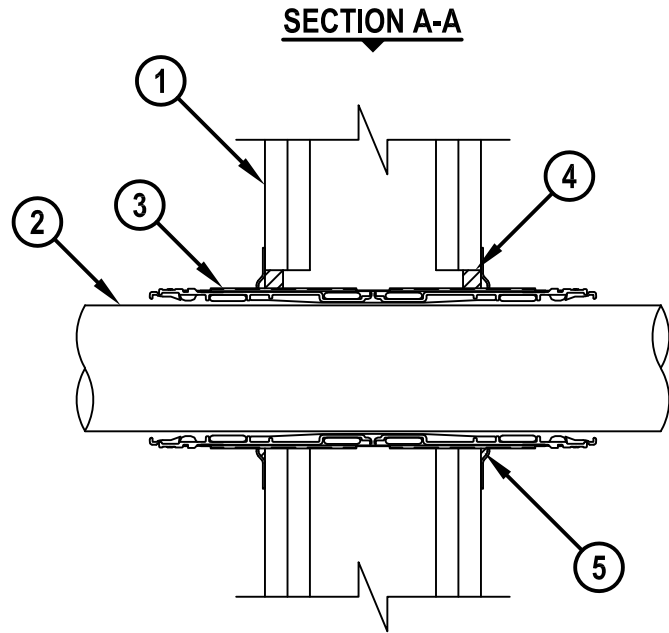
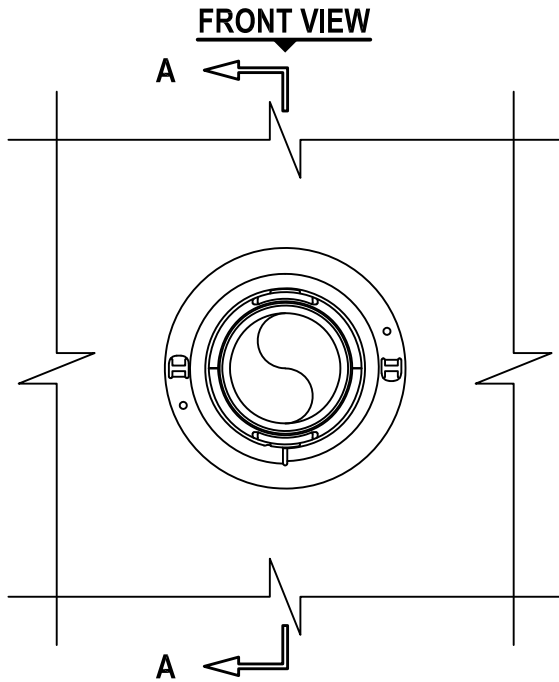


UL SYSTEM NO. W-L-2541

## PLASTIC PIPE THROUGH GYPSUM WALL ASSEMBLY

F-RATING = 1-HR. OR 2-HR.  
T-RATING = 0-HR. OR 1 1/2-HR.

WL2541c.101018



1. GYPSUM WALL ASSEMBLY (UL CLASSIFIED U300, U400 OR V400 SERIES) (1-HR. OR 2-HR. FIRE-RATING) (2-HR. SHOWN) TO INCLUDE THE FOLLOWING CONSTRUCTION FEATURES :
  - A. [NOT SHOWN] WOOD STUDS TO CONSIST OF NOMINAL 2" x 4" LUMBER (SPACED MAXIMUM 16" OC). STEEL STUDS TO BE MINIMUM 3-1/2" WIDE (SPACED MAXIMUM 24" OC).
  - B. NOMINAL 5/8" THICK GYPSUM WALLBOARD. TYPE, NUMBER OF LAYERS, AND SHEET ORIENTATION AS SPECIFIED IN THE INDIVIDUAL UL DESIGN.
2. PENETRATING ITEM TO BE ONE OF THE FOLLOWING :
  - A. MAXIMUM 3" NOMINAL DIAMETER PVC PLASTIC PIPE (SCHEDULE 40) (CELLULAR OR SOLID CORE) (CLOSED OR VENTED PIPING SYSTEM).
  - B. MAXIMUM 3" NOMINAL DIAMETER CPVC PLASTIC PIPE (SDR 13.5) (CLOSED PIPING SYSTEM).
3. HILTI CP 653 SPEED SLEEVE (2" OR 4") SLID INTO AND CENTERED WITHIN WALL. DEVICE FLANGES SPUN CLOCKWISE ONTO DEVICE THREADS, BUTTING TIGHTLY TO BOTH SIDES OF WALL.
4. MINIMUM 1/2" DEPTH HILTI FS-ONE MAX INTUMESCENT FIRESTOP SEALANT OR CP 606 FLEXIBLE FIRESTOP SEALANT FLUSH WITH BOTH SURFACES OF WALL (SEE NOTE NO. 3 BELOW).
5. MINIMUM 1/4" BEAD HILTI FS-ONE MAX INTUMESCENT FIRESTOP SEALANT OR CP 606 FLEXIBLE FIRESTOP SEALANT APPLIED AROUND PERIPHERY OF DEVICE (SEE NOTE NO. 3 BELOW).

NOTES : 1. MAXIMUM DIAMETER OF OPENING = 2-1/2" (FOR 2" DEVICE) OR 4-1/2" (FOR 4" DEVICE).  
2. ANNULAR SPACE BETWEEN DEVICE AND PERIPHERY OF OPENING = MINIMUM 0".  
3. HILTI CP 606 FLEXIBLE FIRESTOP SEALANT IS NOT SUITABLE FOR USE WITH CPVC PIPES.



HILTI, Inc.  
Plano, Texas USA (800) 879-8000

Sheet	1 of 1
Scale	3/16" = 1"
Date	Oct. 10, 2018

Drawing No.  
**WL**  
**2541c**

*Saving Lives through Innovation and Education*