

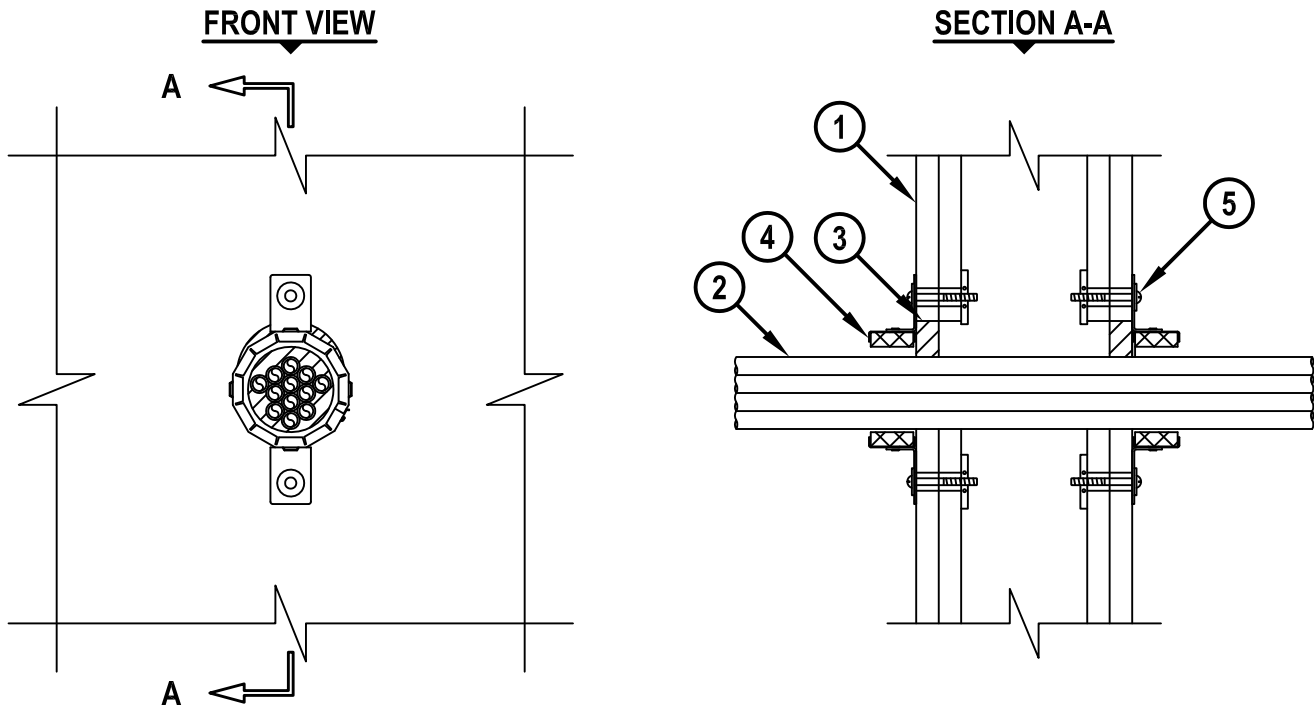
UL SYSTEM NO. W-L-2559

MULTIPLE PLASTIC PIPE THROUGH GYPSUM WALL ASSEMBLY

F-RATING = 1-HR. OR 2-HR.

T-RATING = 1-HR. OR 2-HR.

WL2559a.051811



1. GYPSUM WALL ASSEMBLY (UL CLASSIFIED U300, U400 OR V400 SERIES) (1-HR. OR 2-HR. FIRE-RATING) (2-HR. SHOWN) TO INCLUDE THE FOLLOWING CONSTRUCTION FEATURES :
 - A. [NOT SHOWN] WOOD STUDS TO CONSIST OF NOMINAL 2" x 4" LUMBER (SPACED MAXIMUM 16" OC). STEEL STUDS TO BE MINIMUM 3-1/2" WIDE (SPACED MAXIMUM 24" OC).
 - B. NOMINAL 5/8" THICK GYPSUM WALLBOARD. TYPE, NUMBER OF LAYERS, AND SHEET ORIENTATION AS SPECIFIED IN THE INDIVIDUAL UL DESIGN.
2. ONE OR MORE MAXIMUM 1/2" DIAMETER DURA-LINE MICRO DUCT (MINIMUM 0.057" WALL THICKNESS) MANUFACTURED BY A-D TECHNOLOGIES (CLOSED PIPING SYSTEM) (MAX. QTY. = 12, TIGHTLY BUNDLED).
3. MINIMUM 5/8" DEPTH HILTI CP 618 FIRESTOP PUTTY STICK.
4. HILTI CP 643N/2" FIRESTOP COLLAR WITH FASTENING HOOKS.
5. ATTACH EACH FASTENING HOOK TO WALL ASSEMBLY WITH MINIMUM 3/16" DIAMETER BY MINIMUM 2-1/2" LONG STEEL TOGGLE BOLTS WITH MINIMUM 3/4" DIAMETER STEEL WASHERS.

NOTES : 1. MAXIMUM DIAMETER OF OPENING = 3".
2. ANNULAR SPACE = MINIMUM 0", MAXIMUM 1".
3. [NOT SHOWN] MINIMUM 1/2" BEAD HILTI CP 618 FIRESTOP PUTTY STICK APPLIED AT POINT OF CONTACT, PRIOR TO INSTALLATION OF FIRESTOP COLLAR.



HILTI, Inc.
Tulsa, Oklahoma USA (800) 879-8000

Sheet	1 of 1
Scale	3/16" = 1"
Date	May 18, 2011

Drawing No.

**WL
2559a**

Saving Lives through Innovation and Education