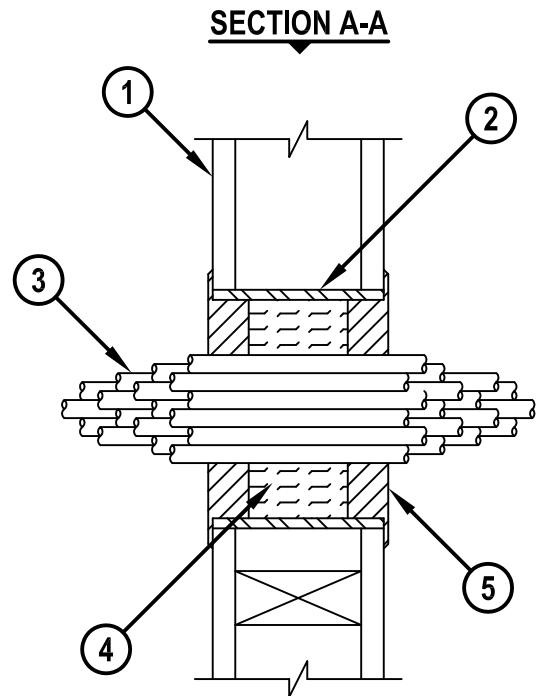
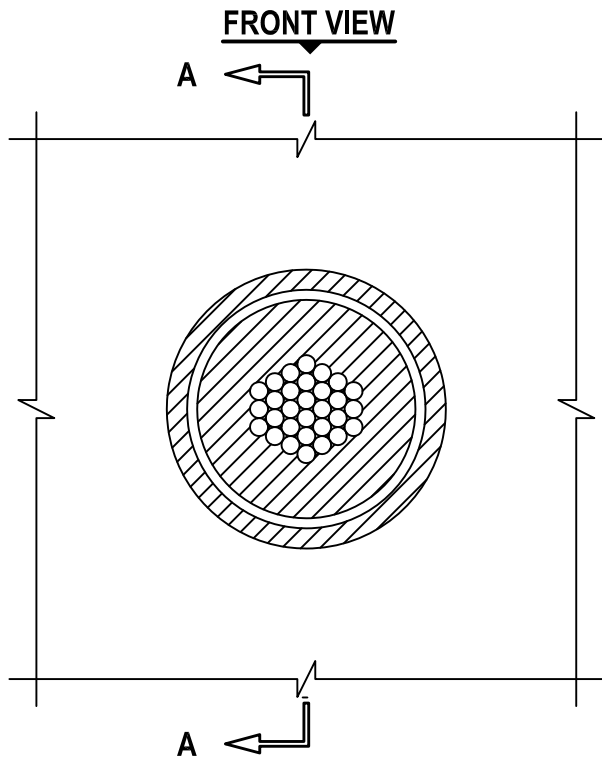


**CABLE OR CABLE BUNDLE THROUGH A SLEEVE IN GYPSUM WALL ASSEMBLY**

F-RATING = 1-HR.  
T-RATING = 1/2-HR.

WL3046f.011415



1. GYPSUM WALL ASSEMBLY (UL/cUL CLASSIFIED U300 OR U400 SERIES) (1-HR. FIRE-RATING).
2. MAXIMUM 6" NOMINAL DIAMETER STEEL PIPE SLEEVE (SCHEDULE 40).
3. MAXIMUM 7/C NO. 12 AWG CABLES WITH PVC INSULATION AND JACKET, TIGHTLY BUNDLED.
4. MINIMUM 2-3/4" THICKNESS MINERAL WOOL (MIN. 4 PCF DENSITY) TIGHTLY PACKED.
5. MINIMUM 1" DEPTH HILTI FS-ONE MAX OR FS-ONE INTUMESCENT FIRESTOP SEALANT.

NOTES : 1. MAXIMUM DIAMETER OF OPENING = 6-5/8".  
2. CABLES TO FILL MAXIMUM 33% OF CROSS-SECTIONAL AREA OF OPENING.



HILTI, Inc.  
Tulsa, Oklahoma USA (800) 879-8000

Sheet	1 of 1
Scale	3/16" = 1"
Date	Jan. 14, 2015

Drawing No.  
**WL  
3046f**