

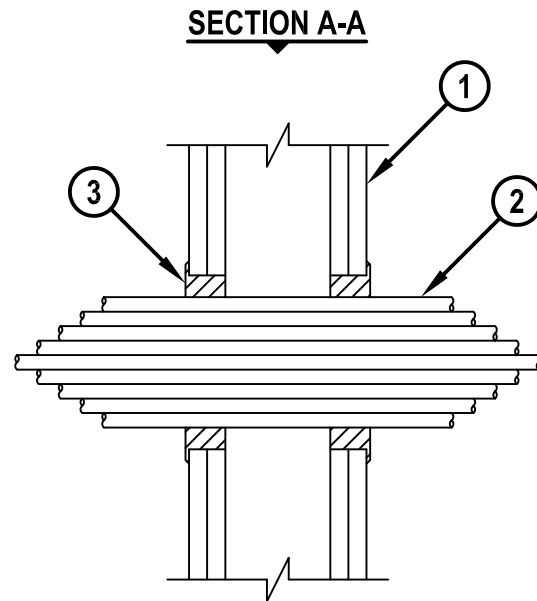
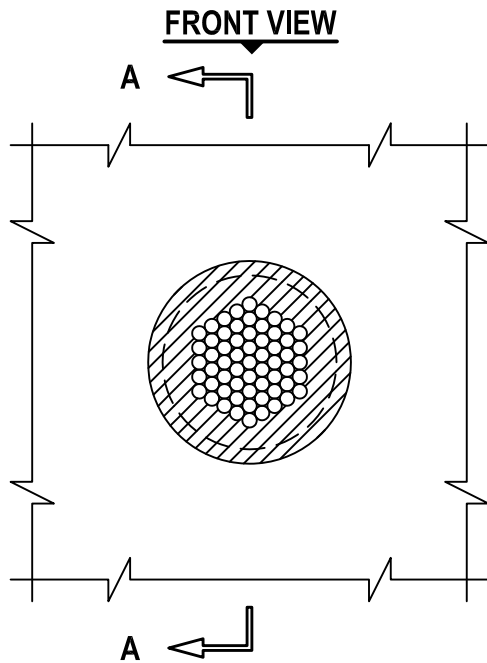
UL/cUL SYSTEM NO. WL3047

CABLE OR CABLE BUNDLE THROUGH GYPSUM WALL ASSEMBLY

F-RATING = 2-HR.

T-RATING = 3/4-HR.

WL3047e.011415



1. GYPSUM WALL ASSEMBLY (UL/cUL CLASSIFIED U300 OR U400 SERIES) (2-HR. FIRE-RATING).
2. MAXIMUM 7/C NO. 12 AWG CABLES WITH PVC INSULATION AND JACKET, TIGHTLY BUNDLED.
3. MINIMUM 1-1/4" DEPTH HILTI FS-ONE MAX OR FS-ONE INTUMESCENT FIRESTOP SEALANT.

NOTES : 1. MAXIMUM DIAMETER OF OPENING = 6".
2. CABLES TO FILL A MAXIMUM 33% OF CROSS-SECTIONAL AREA OF OPENING.



HILTI, Inc.
Tulsa, Oklahoma USA (800) 879-8000

Sheet	1 of 1
Scale	5/32" = 1"
Date	Jan. 14, 2015

Drawing No.

**WL
3047e**

Saving Lives through Innovation and Education