

UL/cUL SYSTEM NO. WL3058

CABLE THROUGH GYPSUM WALL ASSEMBLY

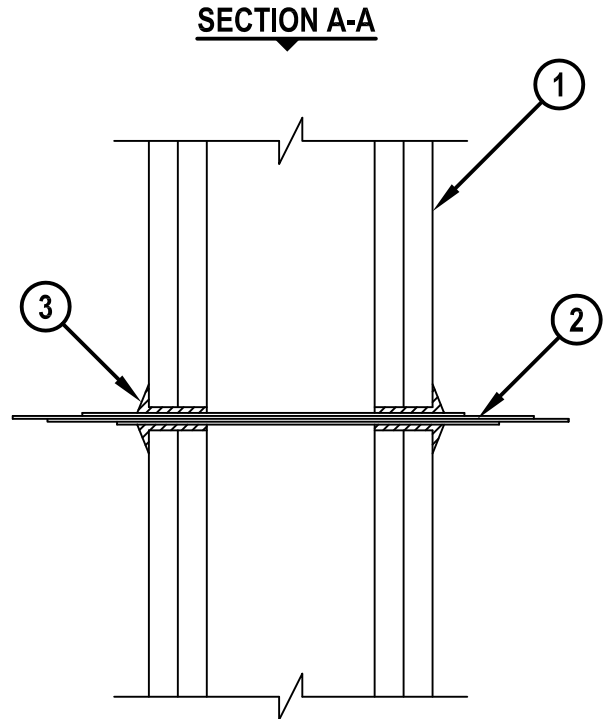
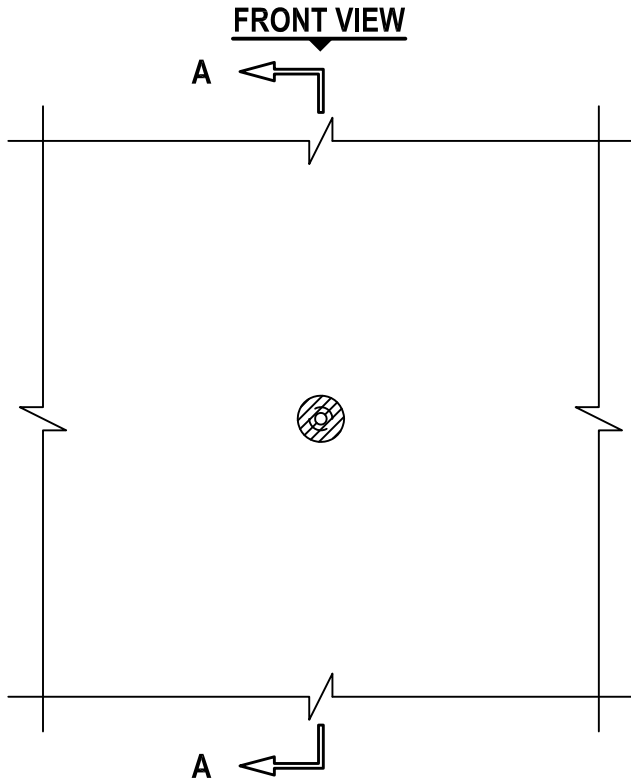
F RATING = 2-HR.

T RATING = 1-1/2-HR.

L RATING AT AMBIENT = LESS THAN 1 CFM / SQ FT

L RATING AT 400° F = 4 CFM / SQ FT

WL3058d.011415



1. GYPSUM WALL ASSEMBLY (UL/cUL CLASSIFIED U300 OR U400 SERIES) (2-HR. FIRE-RATING).
2. MAXIMUM 25 PAIR NO. 24 AWG TELEPHONE CABLE.
3. HILTI FS-ONE MAX OR FS-ONE INTUMESCENT FIRESTOP SEALANT FORCED INTO ANNULAR SPACE TO MAXIMUM EXTENT POSSIBLE, WITH ADDITIONAL 1/4" CROWN AROUND CABLE AS SHOWN.

NOTE : MAXIMUM DIAMETER OF OPENING = 1/2".



HILTI, Inc.
Tulsa, Oklahoma USA (800) 879-8000

Sheet	1 of 1
Scale	1/4" = 1"
Date	Jan. 14, 2015

Drawing No.

**WL
3058d**

Saving Lives through Innovation and Education