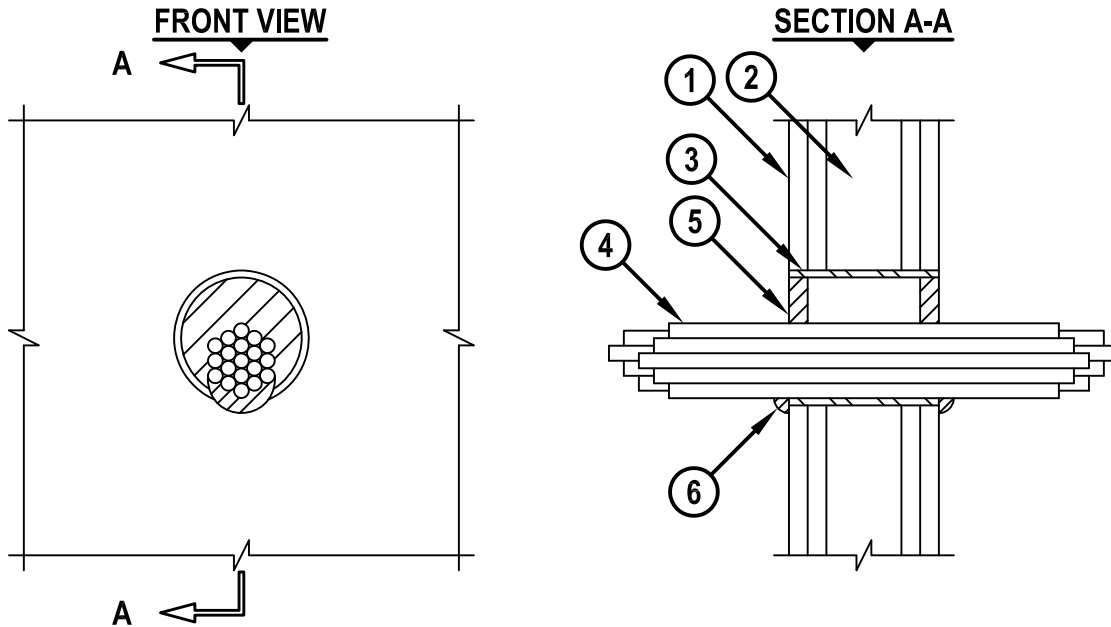


CABLE BUNDLE THROUGH GYPSUM WALL ASSEMBLY

F-RATING = 1-HR. OR 2-HR.

T-RATING = 0-HR.

WL3213d.011619



1. GYPSUM WALL ASSEMBLY (UL/cUL CLASSIFIED U300 OR U400 SERIES) (1-HR. OR 2-HR. FIRE-RATING) (2-HR. SHOWN).
2. [NOT SHOWN] WOOD STUDS TO CONSIST OF NOMINAL 2" x 4" LUMBER. STEEL STUDS TO BE MINIMUM 2-1/2" WIDE.
3. MAXIMUM 4" NOMINAL DIAMETER PVC PLASTIC PIPE SLEEVE (SCHEDULE 40) FRICTION FITTED INTO WALL FLUSH WITH BOTH SURFACES.
4. CABLE BUNDLE TO CONSIST OF ANY COMBINATION OF THE FOLLOWING :
 - A. MAXIMUM 500 KCMIL POWER CABLE WITH PVC JACKET.
 - B. MAXIMUM 100 PAIR NO. 24 AWG TELEPHONE CABLE WITH PVC JACKET.
 - C. RGU/59 COAXIAL CABLE WITH PVC JACKET (MAXIMUM 1/2" DIAMETER).
 - D. MAXIMUM 3/C NO. 8 AWG STEEL-CLAD CABLE.
 - E. MAXIMUM 3/C (+GROUND) NO. 8 AWG ROMEX CABLE WITH PVC JACKET.
 - F. MULTIPLE FIBER-OPTIC CABLE WITH PVC JACKET (MAXIMUM 3/8" DIAMETER).
 - G. MAXIMUM 3/4" DIAMETER COPPER GROUND CABLE WITH PVC JACKET.
5. MINIMUM 5/8" DEPTH HILTI FS-ONE MAX INTUMESCENT FIRESTOP SEALANT OR HILTI CP 618 FIRESTOP PUTTY STICK FLUSH WITH BOTH SIDES OF WALL.
6. MINIMUM 1/2" BEAD HILTI FS-ONE MAX INTUMESCENT FIRESTOP SEALANT OR HILTI CP 618 FIRESTOP PUTTY STICK APPLIED AT POINT OF CONTACT.

NOTES : 1. MAXIMUM DIAMETER OF OPENING = 4".
 2. ANNULAR SPACE (WHEN FS-ONE MAX IS USED) = MINIMUM 0", MAXIMUM 1".
 3. ANNULAR SPACE (WHEN CP 618 IS USED) = MINIMUM 0", MAXIMUM 1-3/8".
 4. CABLES TO FILL MAXIMUM 45% OF CROSS-SECTIONAL AREA OF OPENING.



HILTI, Inc.
 Plano, Texas USA (800) 879-8000

| | |
|-------|---------------|
| Sheet | 1 of 1 |
| Scale | 5/32" = 1" |
| Date | Jan. 16, 2019 |

Drawing No.
WL 3213d