

INSULATED METAL PIPE THROUGH A SLEEVE IN GYPSUM WALL ASSEMBLY

F-RATING = 2-HR.

T-RATING = 1/2-HR.

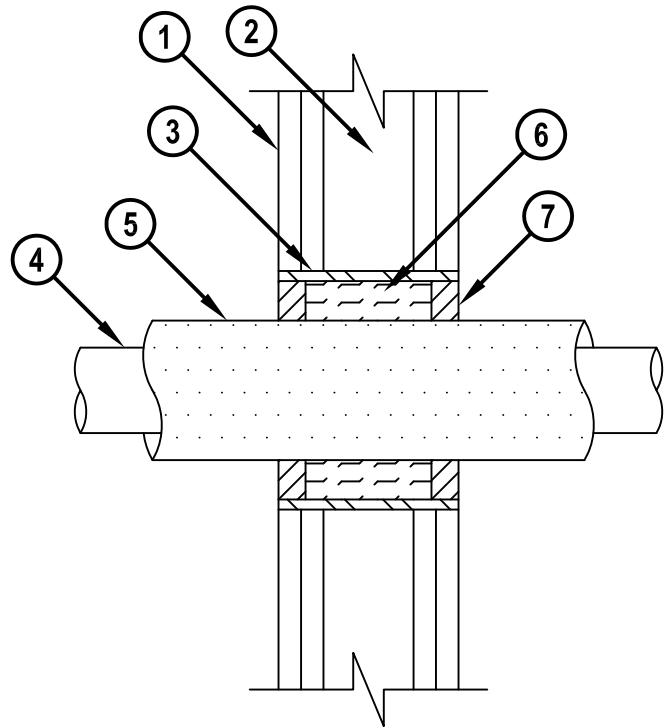
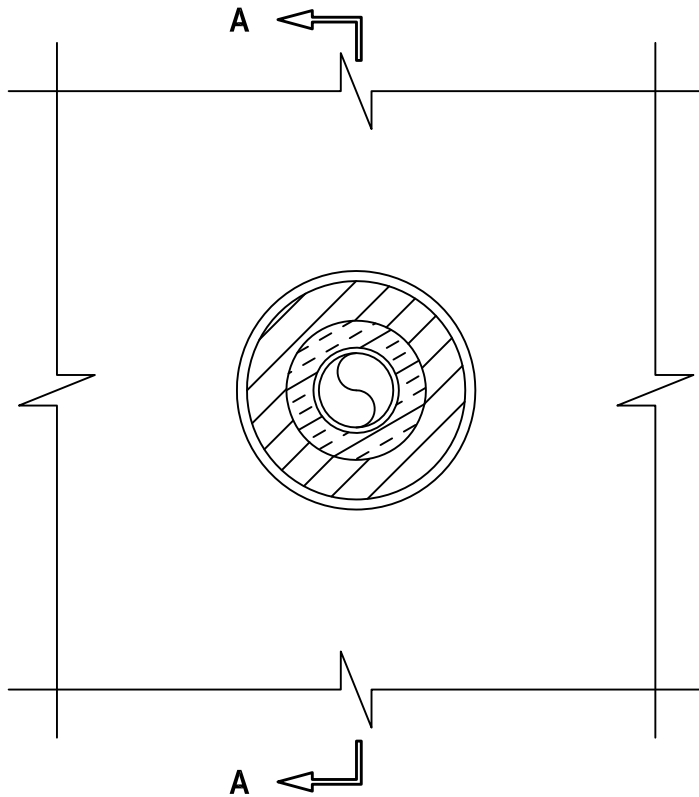
L-RATING AT AMBIENT = 1 CFM / SQ FT

L-RATING AT 400°F = 1 CFM / SQ FT

WL5027g.011415

FRONT VIEW

SECTION A-A



1. GYPSUM WALL ASSEMBLY (UL/cUL CLASSIFIED U300 OR U400 SERIES) (2-HR. FIRE-RATING).
2. [NOT SHOWN] WOOD STUDS TO CONSIST OF NOMINAL 2" x 4" LUMBER. STEEL STUDS TO BE MINIMUM 2-1/2" WIDE.
3. MAXIMUM 6" NOMINAL DIAMETER STEEL PIPE SLEEVE (SCHEDULE 40 OR THINNER).
4. PENETRATING ITEM TO BE ONE OF THE FOLLOWING :
 - A. MAXIMUM 2" NOMINAL DIAMETER STEEL PIPE (SCHEDULE 40 OR HEAVIER).
 - B. MAXIMUM 2" NOMINAL DIAMETER COPPER PIPE OR TUBING.
5. NOMINAL 3/4" THICK (AB/PVC) FLEXIBLE FOAM TYPE INSULATION.
6. MINIMUM 3-1/2" THICKNESS MINERAL WOOL (MIN. 4 PCF DENSITY) TIGHTLY PACKED.
7. MINIMUM 3/4" DEPTH HILTI FS-ONE MAX OR FS-ONE INTUMESCENT FIRESTOP SEALANT.

NOTES : 1. MAXIMUM DIAMETER OF OPENING = 6".
 2. ANNULAR SPACE = MINIMUM 1-3/16", MAXIMUM 1-5/8".



HILTI, Inc.
 Tulsa, Oklahoma USA (800) 879-8000

Sheet	1 of 1
Scale	3/16" = 1"
Date	Jan. 14, 2015

Drawing No.
WL 5027g