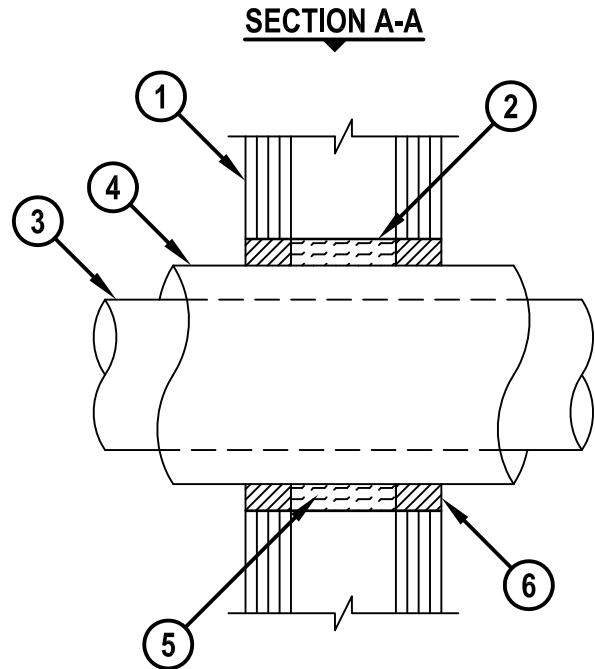
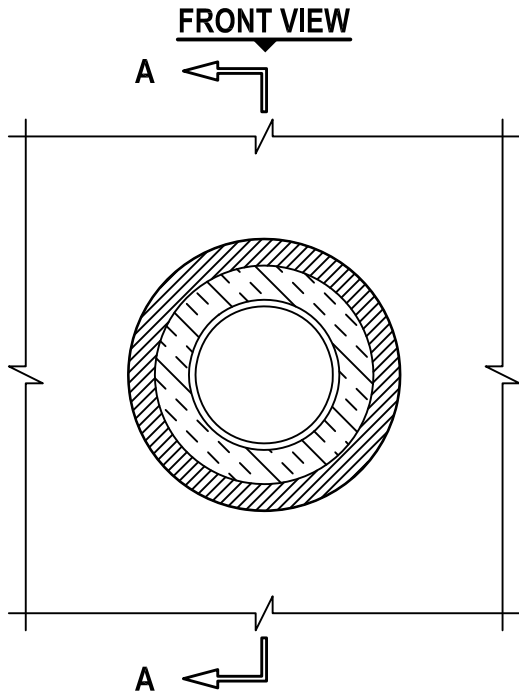


INSULATED METAL PIPE THROUGH GYPSUM WALL ASSEMBLY

F-RATING = 4-HR.
T-RATING = 1-1/2-HR.

WL5073c.011415



1. GYPSUM WALL ASSEMBLY (UL/cUL DESIGN NO. U435) (4-HR. FIRE-RATING).
2. MAXIMUM 18" NOMINAL DIAMETER SHEET METAL SLEEVE (20 GAUGE THICKNESS).
3. PENETRATING ITEM TO BE ANY ONE OF THE FOLLOWING :
 - A. MAXIMUM 12" NOMINAL DIAMETER STEEL PIPE (20 GAUGE THICKNESS).
 - B. MAXIMUM 6" NOMINAL DIAMETER COPPER PIPE.
 - C. MAXIMUM 6" NOMINAL DIAMETER STEEL CONDUIT.
 - D. MAXIMUM 4" NOMINAL DIAMETER EMT.
4. MAXIMUM 1-1/2" THICK GLASS FIBER PIPE INSULATION.
5. MINIMUM 3-5/8" THICKNESS MINERAL WOOL (MIN. 4 PCF DENSITY) TIGHTLY PACKED.
6. MINIMUM 2" DEPTH HILTI FS-ONE MAX OR FS-ONE INTUMESCENT FIRESTOP SEALANT.

NOTES : 1. MAXIMUM DIAMETER OF OPENING = 18-1/2".
2. ANNULAR SPACE = MINIMUM 1-1/4", MAXIMUM 1-1/2".



HILTI, Inc.
Tulsa, Oklahoma USA (800) 879-8000

Sheet	1 of 1
Scale	5/32" = 1"
Date	Jan. 14, 2015

Drawing No.
**WL
5073c**