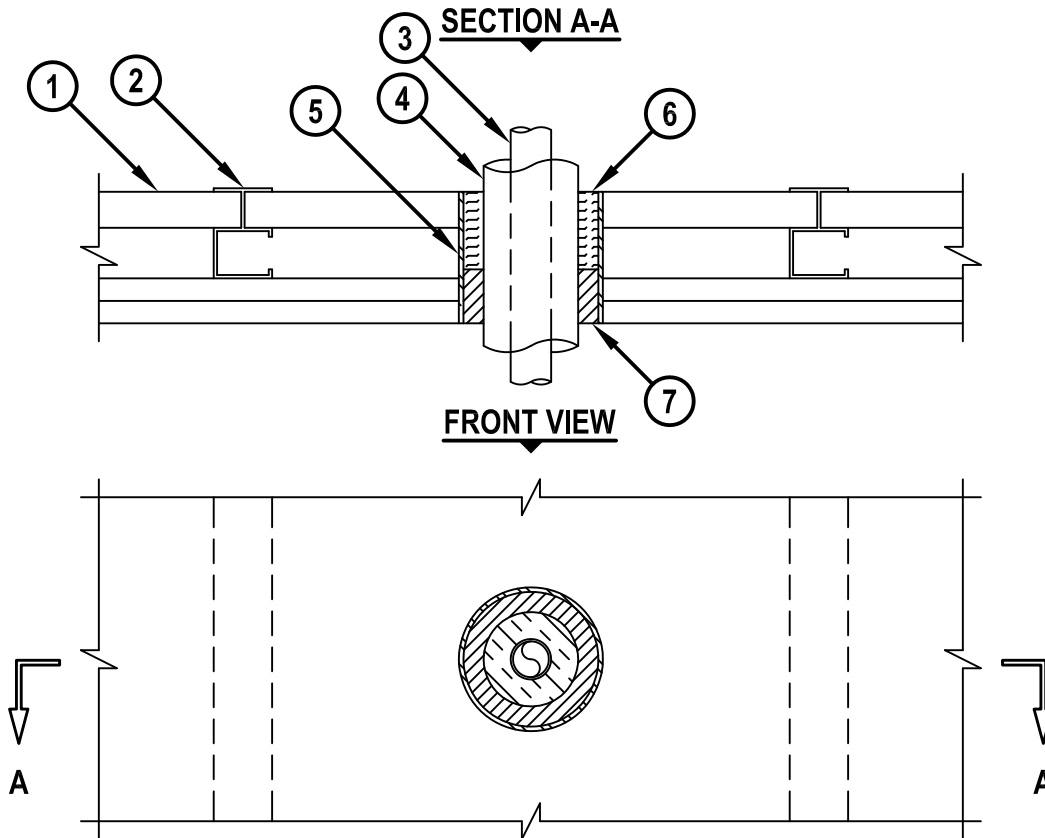


INSULATED METAL PIPE THROUGH GYPSUM SHAFT WALL ASSEMBLY

F-RATING = 1-HR. OR 2-HR.

T-RATING = 1/2-HR.



WL5143d.011415

1. GYPSUM SHAFT WALL ASSEMBLY (UL/cUL CLASSIFIED U400 SERIES) (1-HR. OR 2-HR. FIRE-RATING).
2. "C-T" SHAPED STEEL STUDS (1-5/8" WIDE x 2-1/2" DEEP, MINIMUM 25 GA.) SPACED MAXIMUM 24" C/C.
3. MAXIMUM 1" NOMINAL DIAMETER COPPER PIPE.
4. NOMINAL 3/4" THICK AB/PVC FLEXIBLE FOAM PIPE INSULATION.
5. MAXIMUM 4" DIAMETER SHEET METAL SLEEVE (MINIMUM 28 GA.) OR NO. 8 STEEL WIRE MESH HAVING MINIMUM 1" OVERLAP ALONG LONGITUDINAL SEAM.
6. MINIMUM 1-5/8" OR 2-1/4" THICKNESS MINERAL WOOL (MINIMUM 4 PCF DENSITY) TIGHTLY PACKED AND RECESSED ON ONE SIDE OF WALL FOR 1-HR. OR 2-HR. FIRE-RATED WALLS RESPECTIVELY.
7. MINIMUM 1-1/2" DEPTH HILTI FS-ONE MAX OR FS-ONE INTUMESCENT FIRESTOP SEALANT.

- NOTES :**
1. MAXIMUM DIAMETER OF OPENING = 4".
 2. ANNULAR SPACE = MINIMUM 1/4", MAXIMUM 1-1/8".
 3. AS AN ALTERNATE TO THE ABOVE SHAFT WALL ASSEMBLY, A 1 OR 2-HR. GYPSUM WALL ASSEMBLY MAY BE USED (U300, U400 OR V400 SERIES). STEEL STUDS TO BE MINIMUM 2-1/2" WIDE. WOOD STUDS TO CONSIST OF NOMINAL 2 x 4 LUMBER.
 4. WHEN SYSTEM IS INSTALLED IN A STANDARD WALL ASSEMBLY, MINERAL WOOL SHOULD BE INSTALLED FLUSH WITH EITHER SIDE OF WALL AND RECESSED FROM OTHER SIDE TO ACCOMMODATE SEALANT.



HILTI, Inc.
Tulsa, Oklahoma USA (800) 879-8000

Sheet	1 of 1
Scale	3/16" = 1"
Date	Jan. 14, 2015

Drawing No.

**WL
5143d**