

INSULATED PIPE THROUGH GYPSUM WALL ASSEMBLY

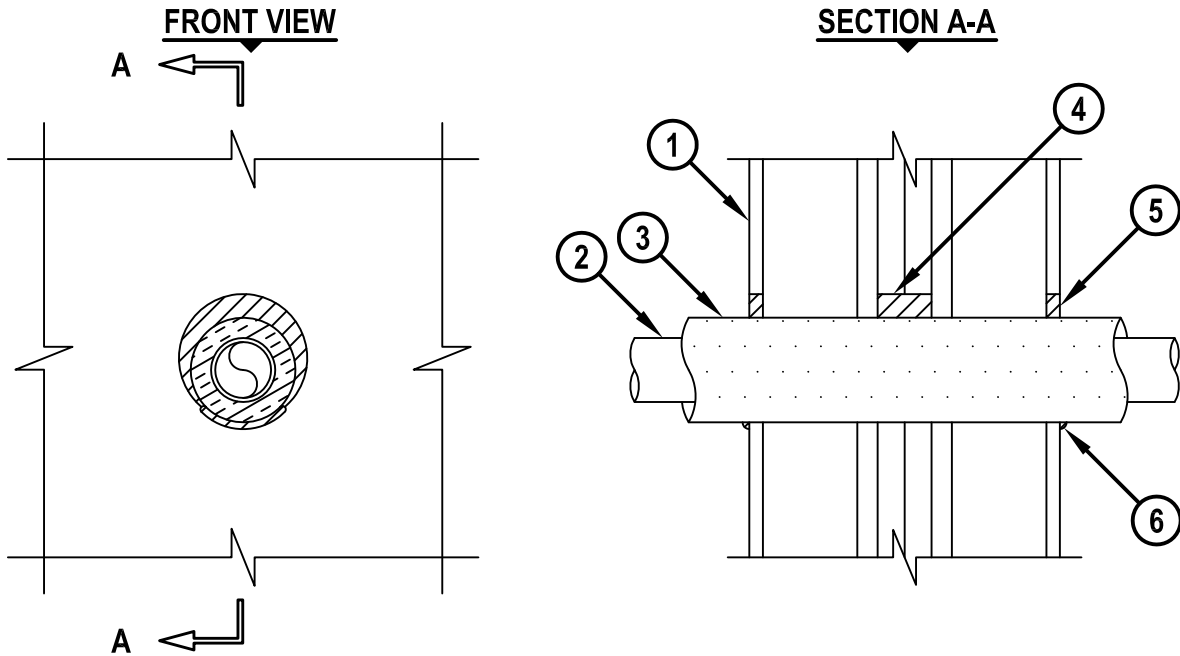
F-RATING = 2-HR.

T-RATING = 0-HR.

L-RATING AT AMBIENT = 1 CFM / SQ FT

L-RATING AT 400°F = LESS THAN 1 CFM / SQ FT

WL5260c.011415



1. GYPSUM WALL ASSEMBLY (UL/cUL CLASSIFIED U300 SERIES) (2-HR. FIRE-RATING) CONSISTING OF THE FOLLOWING :
 - A. NOMINAL 2 x 4 STUDS SPACED MAXIMUM 24" OC.
 - B. STEEL "H" SHAPED STUDS SPACED MAXIMUM 24" OC.
 - C. TWO LAYERS 1" GYPSUM WALLBOARD LINER PANELS.
 - D. MINIMUM 1/2" THICK GYPSUM WALLBOARD.
2. PENETRATING ITEM TO BE ONE OF THE FOLLOWING :
 - A. MAXIMUM 2" NOMINAL DIAMETER STEEL PIPE (SCHEDULE 5 OR HEAVIER).
 - B. MAXIMUM 2" NOMINAL DIAMETER CAST OR DUCTILE IRON PIPE.
 - C. MAXIMUM 2" NOMINAL DIAMETER COPPER PIPE OR TUBING.
3. NOMINAL 3/4" THICK AB/PVC PIPE INSULATION.
4. MINIMUM 2" DEPTH HILTI FS-ONE MAX OR FS-ONE INTUMESCENT FIRESTOP SEALANT APPLIED WITHIN GYPSUM WALLBOARD LINER PANELS.
5. MINIMUM 1/2" DEPTH HILTI FS-ONE MAX OR FS-ONE INTUMESCENT FIRESTOP SEALANT APPLIED FLUSH WITH OUTER SURFACES OF GYPSUM WALLBOARD.
6. MINIMUM 1/4" BEAD HILTI FS-ONE MAX OR FS-ONE INTUMESCENT FIRESTOP SEALANT APPLIED AT POINT OF CONTACT AT OUTER SURFACE OF GYPSUM WALLBOARD.

NOTES : 1. MAXIMUM DIAMETER OF OPENING = 4-3/4".
 2. ANNULAR SPACE = MINIMUM 0", MAXIMUM 7/8".

 Hilti Firestop Systems	HILTI, Inc. Tulsa, Oklahoma USA (800) 879-8000	Sheet 1 of 1 Scale 9/64" = 1" Date Jan. 14, 2015	Drawing No. WL 5260c
	Saving Lives through Innovation and Education		