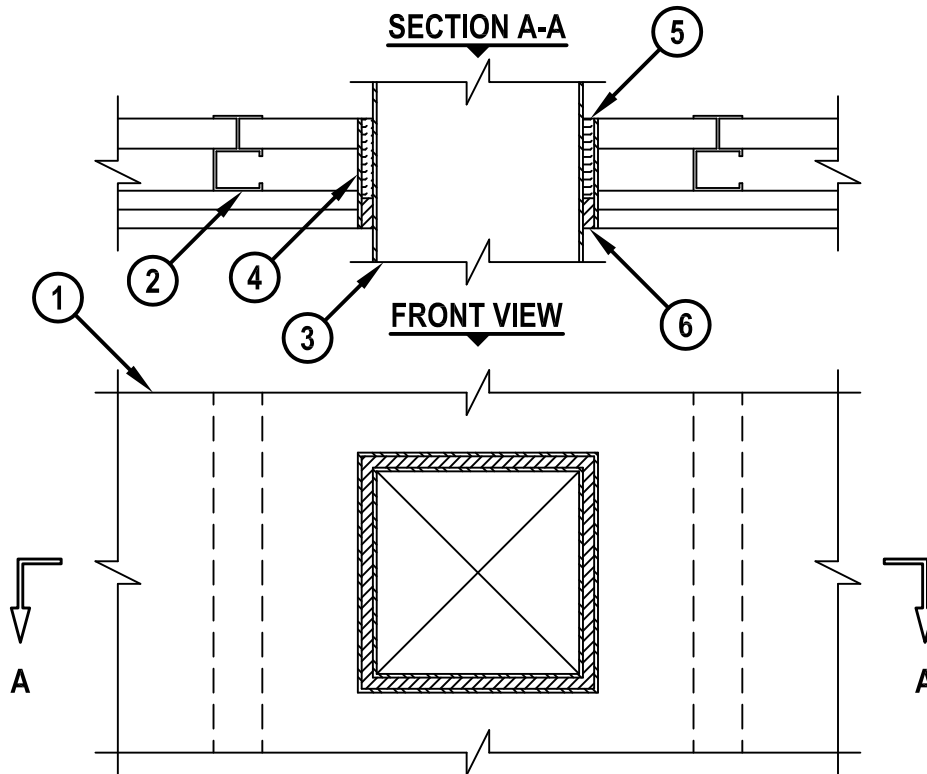


**SHEET METAL DUCT THROUGH GYPSUM SHAFT WALL ASSEMBLY**

F-RATING = 1-HR. OR 2-HR.

T-RATING = 0-HR.



WL7069c.011415

1. GYPSUM SHAFT WALL ASSEMBLY (UL/cUL CLASSIFIED U400 SERIES) (1-HR. OR 2-HR. FIRE-RATING) (2-HR. SHOWN).
2. "C-T" SHAPED STEEL STUDS (1-5/8" WIDE x 2-1/2" DEEP, MIN. 25 GA.) SPACED MAXIMUM 24" C/C.
3. MAXIMUM 7" x 7" SHEET METAL DUCT (MIN. 24 GA.).  
(NOTE : NOT FOR USE IN DUCT SYSTEMS CONTAINING A FIRE DAMPER)
4. MAXIMUM 8" x 8" SHEET METAL SLEEVE (MIN. 28 GA.) OR NO. 8 STEEL WIRE MESH SLEEVE HAVING MINIMUM 1" OVERLAP ALONG LONGITUDINAL SEAM.
5. MINIMUM 2-1/8" OR 2-3/4" THICKNESS MINERAL WOOL (MIN. 4 PCF DENSITY) TIGHTLY PACKED AND RECESSED ON ONE SIDE, FOR 1-HR. OR 2-HR. FIRE-RATED WALLS RESPECTIVELY.
6. MINIMUM 1" DEPTH HILTI FS-ONE MAX OR FS-ONE INTUMESCENT FIRESTOP SEALANT.

**NOTES :**

1. MAXIMUM SIZE OF OPENING = 8" x 8".
2. ANNULAR SPACE = MINIMUM 1/4", MAXIMUM 3/4".
3. THIS FIRESTOP SYSTEM WAS DESIGNED AND TESTED FOR APPLICATIONS IN WHICH THERE IS LIMITED OR NO ACCESS AVAILABLE ON ONE SIDE OF WALL.
4. AS AN ALTERNATE TO THE ABOVE SHAFT WALL ASSEMBLY, A 1 OR 2-HR. GYPSUM WALL ASSEMBLY MAY BE USED (U300, U400 OR V400 SERIES). STEEL STUDS TO BE MINIMUM 2-1/2" WIDE. WOOD STUDS TO CONSIST OF NOMINAL 2 x 4 LUMBER.
5. WHEN SYSTEM IS INSTALLED IN A STANDARD WALL ASSEMBLY, MINERAL WOOL SHOULD BE INSTALLED FLUSH WITH EITHER SIDE OF WALL AND RECESSED FROM OTHER SIDE TO ACCOMMODATE SEALANT.



HILTI, Inc.  
Tulsa, Oklahoma USA (800) 879-8000

Sheet	1 of 1
Scale	5/32" = 1"
Date	Jan. 14, 2015

Drawing No.  
**WL  
7069c**