

UL/cUL SYSTEM NO. W-L-7124

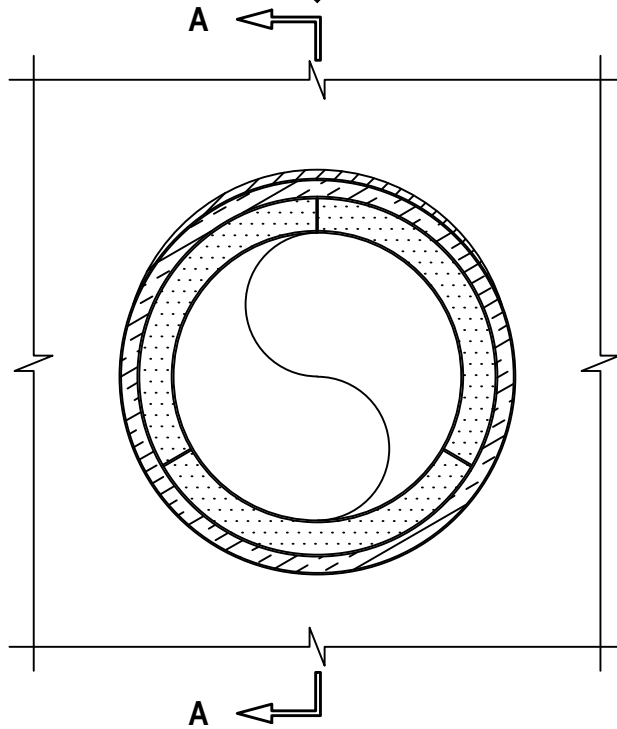
GREASE DUCT THROUGH GYPSUM WALL ASSEMBLY

F-RATING = 1-HR. OR 2-HR.

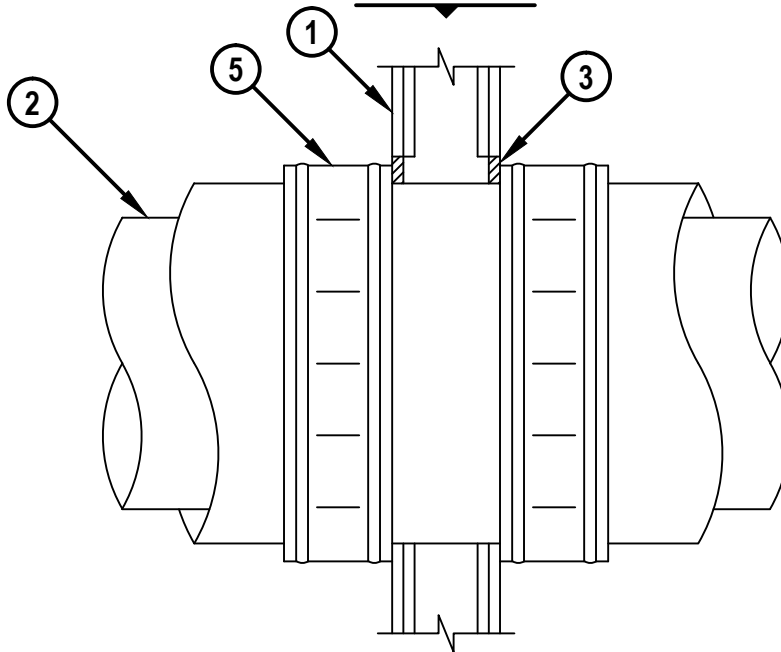
T-RATING = 1-HR. OR 2-HR.

WL7124e-013018

FRONT VIEW



SECTION A-A



HILTI, Inc.
Plano, Texas USA (800) 879-8000

Sheet	1 of 2
Scale	3/32" = 1"
Date	Jan. 30, 2018

Drawing No.
**WL
7124e**

Saving Lives through Innovation and Education

GREASE DUCT THROUGH GYPSUM WALL ASSEMBLY

F-RATING = 1-HR. OR 2-HR.

T-RATING = 1-HR. OR 2-HR.

WL7124e-013018

1. GYPSUM WALL ASSEMBLY (UL/cUL CLASSIFIED U300, U400 OR V400 SERIES) (2-HR. FIRE-RATING) TO INCLUDE THE FOLLOWING CONSTRUCTION FEATURES :
 - A. [NOT SHOWN] STEEL STUDS TO BE MINIMUM 3-1/2" WIDE (SPACED MAXIMUM 24" OC).
 - B. NOMINAL 5/8" THICK GYPSUM WALLBOARD. TYPE, NUMBER OF LAYERS, AND SHEET ORIENTATION AS SPECIFIED IN THE INDIVIDUAL UL DESIGN.
2. MAXIMUM 32" NOMINAL DIAMETER KITCHEN GREASE DUCT MANUFACTURED BY METAL-FAB, INC. (SEE TABLE BELOW).
3. MINIMUM 5/8" DEPTH HILTI FS-ONE INTUMESCENT FIRESTOP SEALANT.
4. [NOT SHOWN] MINIMUM 1/2" BEAD HILTI FS-ONE INTUMESCENT FIRESTOP SEALANT APPLIED AT POINT OF CONTACT, PRIOR TO APPLYING CLOSURE BAND.
5. CLOSURE BAND (0.024" THICK STEEL, LINED WITH 1" THICK CERAMIC FIBER) SECURED TOGETHER WITH 1/4-20 x 1-3/4" LONG HEX HEAD BOLTS AND NUTS (SEE NOTE NO. 2 BELOW).

HOURLY RATING OF WALL, HR	TYPE OF GREASE DUCT / GAS VENT	MAX NOM INSIDE DIAM	F, FT, FH, FTH AND T RATINGS OF FIRESTOP SYSTEM, HR
1	IPIC SERIES 4G (IPIC 4)	28"	1
2	IPIC SERIES 4G (IPIC 4)	28"	2
1	IPIC SERIES 3G (IPIC 3)	30"	1
2	IPIC SERIES 3G (IPIC 3)	30"	2
2	FCS-3 CORR/GUARD	30"	1
1	FCS-3 CORR/GUARD	30"	2
1	IPIC SERIES 2G (IPIC 2)	18"	1
2	IPIC SERIES 2G (IPIC 2)	18"	2

ANNULAR SPACE					
1-HR. WALLS			2-HR. WALLS		
NOM. INSIDE DIA. OF DUCT	MINIMUM	MAXIMUM	NOM. INSIDE DIA. OF DUCT	MINIMUM	MAXIMUM
12" OR GREATER	0"	1"	16" OR LESS	0"	1-1/2"
LESS THAN 12"	0"	3/4"	GREATER THAN 16"	0"	1"

NOTES : 1. MAXIMUM DIAMETER OF OPENING = 37".
 2. IN 1-HR. FIRE-RATED WALLS, THE MINIMUM WIDTH OF THE CLOSURE BAND IS 6". IN 2-HR FIRE-RATED WALLS, THE MINIMUM WIDTH OF THE CLOSURE BAND IS 6" FOR DUCTS NOMINAL 16" OR GREATER, AND MINIMUM 12" IF DUCT IS LESS THAN NOMINAL 12".



HILTI, Inc.
 Plano, Texas USA (800) 879-8000

Sheet	2 of 2
Scale	-
Date	Jan. 30, 2018

Drawing No.
WL 7124e