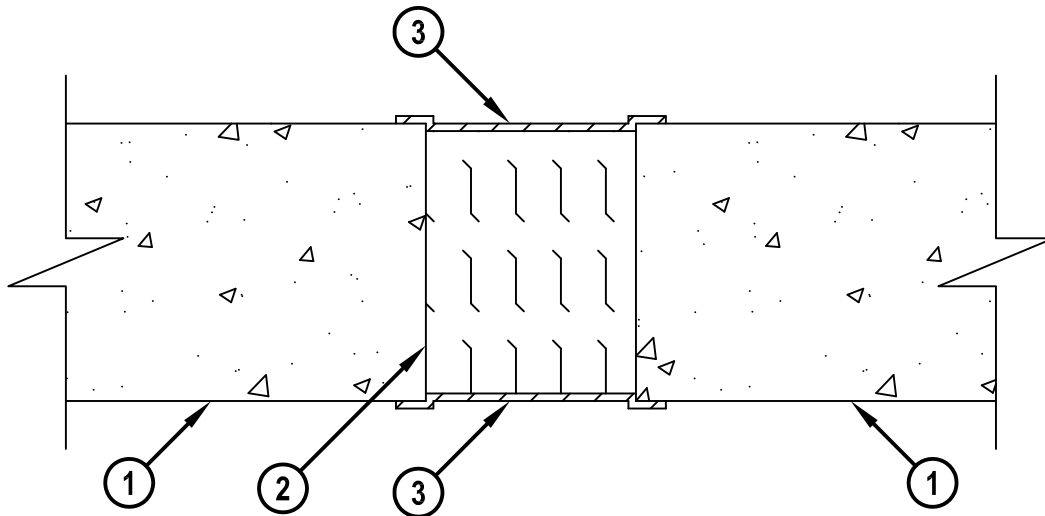


**FIRE-RATED JOINT THROUGH CONCRETE WALL ASSEMBLY**

ASSEMBLY RATING = 2-HR.

CLASS II MOVEMENT CAPABILITIES - 14% COMPRESSION OR EXTENSION

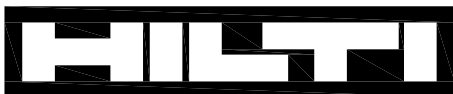
TOP VIEW



WWD1084a.063010

1. CONCRETE WALL ASSEMBLY (2-HR. FIRE-RATING) :
  - A. LIGHTWEIGHT OR NORMAL WEIGHT CONCRETE WALL (MINIMUM 4-5/8" THICK).
  - B. ANY UL/cUL CLASSIFIED CONCRETE BLOCK WALL.
2. MINIMUM 4-3/8" THICKNESS MINERAL WOOL (MIN. 4 PCF DENSITY) COMPRESSED MINIMUM 42%.
3. MINIMUM 1/8" (WET) THICKNESS HILTI CFS-SP WB FIRESTOP JOINT SPRAY APPLIED WITHIN THE JOINT, FLUSH WITH EACH SURFACE OF WALL AND OVERLAPPING MINIMUM 1/2" ONTO THE WALL ON BOTH SIDES OF JOINT.

**NOTE : MAXIMUM WIDTH OF JOINT = 3-1/2".**



**Hilti Firestop Systems**

HILTI, Inc.  
Tulsa, Oklahoma USA (800) 879-8000

Sheet	1 of 1
Scale	5/16" = 1"
Date	June 30, 2010

Drawing No.

**WWD  
1084a**

*Saving Lives through Innovation and Education*