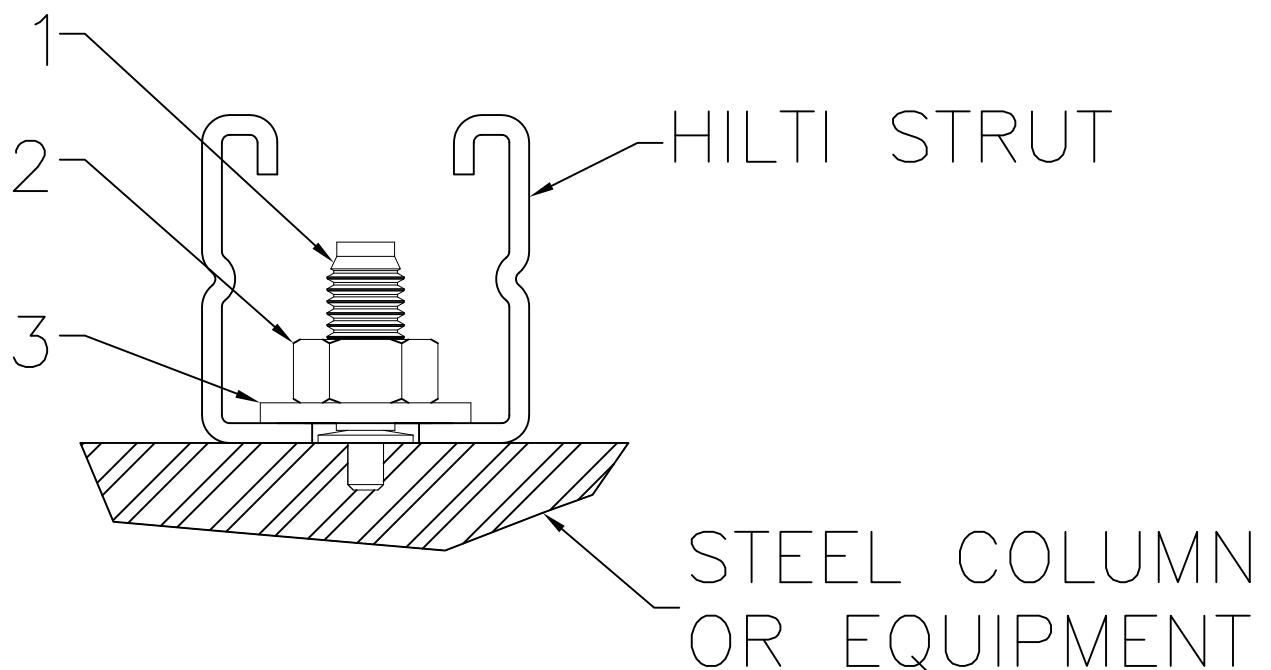


# HILTI X-BT STRUT MOUNTING ASSEMBLY FOR HIGHLY CORROSIVE ENVIRONMENTS



1. HILTI X-BT W10-24-6 SN12-R.

2. HEX JAM NUT 3/8-16, ALLOY GROUP 2 (316SS) ACCORDING TO ASTM F 594

3. TYPE A PLAIN WASHER ACCORDING TO ANSI B18.22.1, MATERIAL ACCORDING TO ASTM A240 TYPE 316.