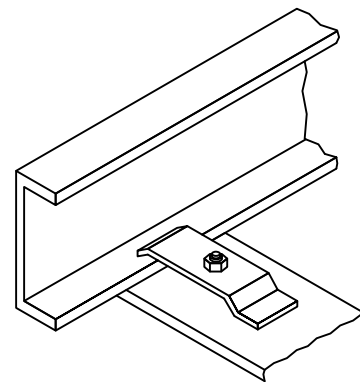
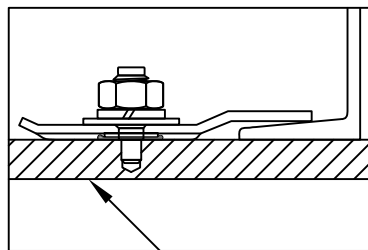


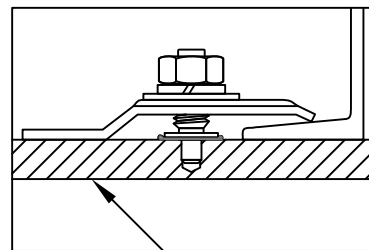
EXPANSION GUIDE CLIP
(SEE NOTE 1)



HOLD DOWN CLAMP
(SEE NOTE 2)



MINIMUM 5/16" THICK*



MINIMUM 5/16" THICK*

NOTE:

1. EXPANSION GUIDES SHALL BE USED IN ACCORDANCE TO DESIGN ENGINEER'S REQUIREMENTS, AND GENERALLY ON BOTH SIDES OF CABLE TRAY AT EACH SUPPORT MEMBER.
 2. HOLD DOWN CLAMPS GUIDES SHALL BE USED IN ACCORDANCE TO DESIGN ENGINEER'S REQUIREMENTS, AND GENERALLY ON BOTH SIDES OF CABLE TRAY AT CENTER OF CABLE TRAY RUN.
 3. EXPANSION GUIDE CLIPS/HOLD DOWN CLAMPS SHALL BE INSTALLED CLOSE ENOUGH TO TRAY FLANGE TO ENSURE TRAY REMAINS IN PLACE IF LATERAL LOAD IS APPLIED.
 4. SPACE POWDER-ACTUATED STUDS ACCORDINGLY TO ACCOMMODATE DESIGN LOADS.
 5. POWDER-ACTUATED STUDS SHALL BE INSTALLED PER HILTI INSTALLATION INSTRUCTIONS.
- * CONTACT HILTI ENGINEERING IF THINNER BASE MATERIAL.

THIS DRAWING REPRESENTS A COMMON APPLICATION USED ON PETROCHEMICAL PROJECTS IN UPSTREAM OR DOWNSTREAM TO THE BEST OF HILTI'S KNOWLEDGE. THIS DRAWING IS NEITHER A TECHNICAL DOCUMENTATION NOR AN ENGINEERING JUDGMENT. PLEASE REFER TO PRODUCT TECHNICAL DATA OF EACH HILTI PRODUCT TO CHECK FOR APPLICABLE LIMITATIONS.



Information and loads are recommendations for static application, and based on the published data in the Hilti Technical Guide (including allowable load values, factors of safety, methods of calculation and limiting factors). The responsible project engineer must verify suitability for any specific application. Modification to design may alter performance and should be evaluated by engineer of record.

Drawn	Developer
JGB/HAM	RPB

Date	25 JUN 12
Drawing No.	12-122-07

Project	DETAILS FOR ELECTRICAL ENGINEERS
---------	----------------------------------

Description	CABLE TRAY EXPANSION GUIDE AND HOLD-DOWN CLAMP INSTALLATION DETAIL
-------------	--

Index	Sheet
E	1/1