

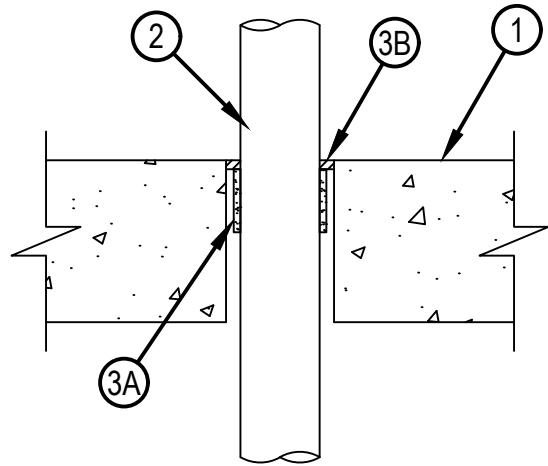
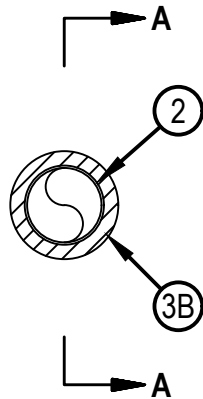


Classified by  
Underwriters Laboratories, Inc.  
to UL 1479 and CAN/ULC-S115

### System No. C-AJ-2677

ANSI/UL1479 (ASTM E814)	CAN/ULC S115
F Rating — 2 Hr	F Rating — 2 Hr
T Rating — 1/2 Hr	FT Rating — 1/2 Hr
	FH Rating — 2 Hr
	FTH Rating — 1/2 Hr

CAJ 2677



SECTION A-A

System tested with a pressure differential of 50 Pa between the exposed and the unexposed surfaces with the higher pressure on the exposed side.

1. Floor or Wall Assembly — Min 4-1/2 in. (114 mm) thick reinforced lightweight or normal weight (100-150 pcf or 1600-2400 kg/m<sup>3</sup>) concrete. Wall may also be constructed of any UL Classified Concrete Blocks\*. Max diam of opening is 3 in. (76 mm).

See Concrete Blocks (CAZT) in the Fire Resistance Directory for names of manufacturers.

2. Through Penetrants — One nonmetallic pipe to be installed concentrically within the firestop system. The annular space between the pipe and the periphery of the opening shall be nominal 5/16 in. (8 mm). Pipe to be rigidly supported on both sides of the floor or wall assembly. The following type and sizes of nonmetallic pipe may be used:

A. Polypropylene (PP-R) Pipe — Nom 2 in. (63 mm OD) (or smaller) Aquatherm Greenpipe SDR 7.4 for use in closed (process or supply) or vented (drain, waste or vent) piping systems.

B. Polypropylene (PP-RCT) Pipe — Nom 2 in. (63 mm OD) (or smaller) Aquatherm Bluepipe SDR 9 for use in closed (process or supply) or vented (drain, waste or vent) piping systems.

C. Polypropylene (PP-RCT) Pipe — Nom 2 in. (63 mm OD) (or smaller) Nupi Americas Niron pipe SDR 7.3 for use in closed (process or supply) or vented (drain, waste or vent) piping systems.

D. Polypropylene (PP-RCT) Pipe — Nom 2 in. (63 mm OD) (or smaller) Aquatechnik NA Fusion-Tech pipe SDR 7.4 for use in closed (process or supply) or vented (drain, waste or vent) piping systems.

E. Polypropylene (PP) Pipe — Nom 2 in. (63 mm OD) (or smaller) Uponor pipe SDR 9 for use in closed (process or supply) or vented (drain, waste or vent) piping systems.

3. Firestop System — The firestop system shall consist of the following:

A. Fill, Void or Cavity Material\* — Wrap Strip — Nom 3/16 in. (5 mm) thick by nom 1-3/4 in. (44 mm) wide intumescent wrap strip is continuously wrapped around the outer circumference of the pipe one time with ends butted and held in place with tape. Wrap strip slid into annular space and recessed from the top surface of floor or from both surfaces of wall to accommodate the required thickness of fill material.

HILTI CONSTRUCTION CHEMICALS, DIV OF HILTI INC — CP648-E Wrap Strip

B. Fill, Void or Cavity Material\* — Sealant — Min 1/4 in. (6 mm) thickness of fill material applied within the annulus, flush with top surface of floor or both surfaces of wall.

HILTI CONSTRUCTION CHEMICALS, DIV OF HILTI INC — FS-ONE MAX Intumescent Sealant

\* Indicates such products shall bear the UL or cUL Certification Mark for jurisdictions employing the UL or cUL Certification (such as Canada), respectively.

