

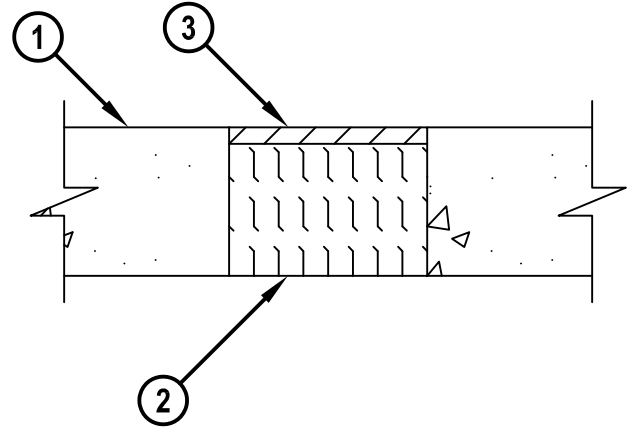
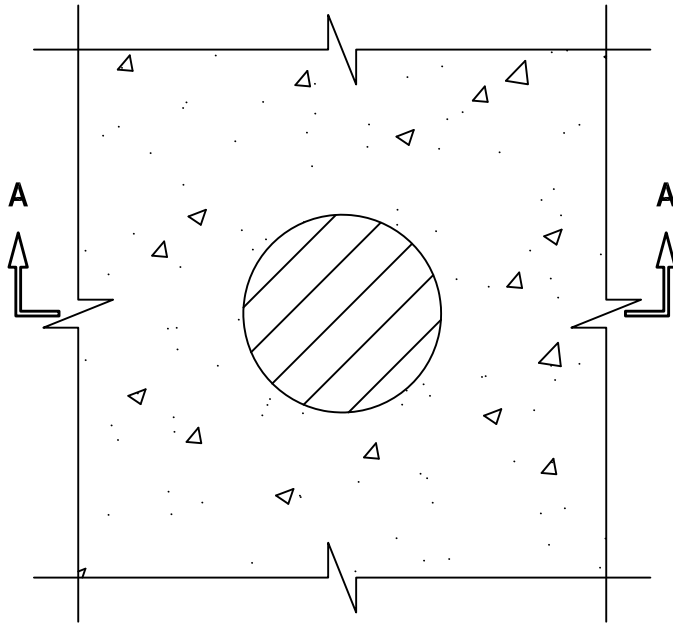
BLANK OPENING THROUGH CONCRETE FLOOR/WALL OR BLOCK WALL ASSEMBLY

F-RATING = 3-HR.
T-RATING = 3-HR.

CAJ0142b.052918

TOP VIEW

SECTION A-A



1. CONCRETE FLOOR OR WALL ASSEMBLY (3-HR. FIRE-RATING) :
 - A. LIGHTWEIGHT OR NORMAL WEIGHT CONCRETE FLOOR (MINIMUM 4-1/2" THICK).
 - B. LIGHTWEIGHT OR NORMAL WEIGHT CONCRETE WALL (MINIMUM 5" THICK).
 - C. ANY UL/cUL CLASSIFIED PRECAST (HOLLOW-CORE) CONCRETE FLOOR (MINIMUM 6" THICK).
 - D. ANY UL/cUL CLASSIFIED CONCRETE BLOCK WALL.
2. MINIMUM 4" THICKNESS MINERAL WOOL SAFING (MIN. 4 PCF DENSITY) TIGHTLY PACKED. IN HOLLOW-CORE FLOORS MINERAL WOOL TO BE INSTALLED FLUSH WITH BOTTOM SURFACE OF FLOOR.
3. MINIMUM 1/2" DEPTH HILTI CFS-S SIL GG FIRESTOP SILICONE SEALANT OR HILTI CFS-S SIL SL FIRESTOP SILICONE SEALANT (FLOORS ONLY).

NOTES : 1. MAXIMUM DIAMETER OF OPENING = 6".
2. MINIMUM 1/2" DEPTH HILTI CFS-S SIL GG FIRESTOP SILICONE SEALANT IS REQUIRED ON EACH SIDE OF A WALL.



HILTI, Inc.
Plano, Texas USA (800) 879-8000

Sheet	1 of 1
Scale	11/64" = 1"
Date	May 29, 2018

Drawing No.
**CAJ
0142b**