

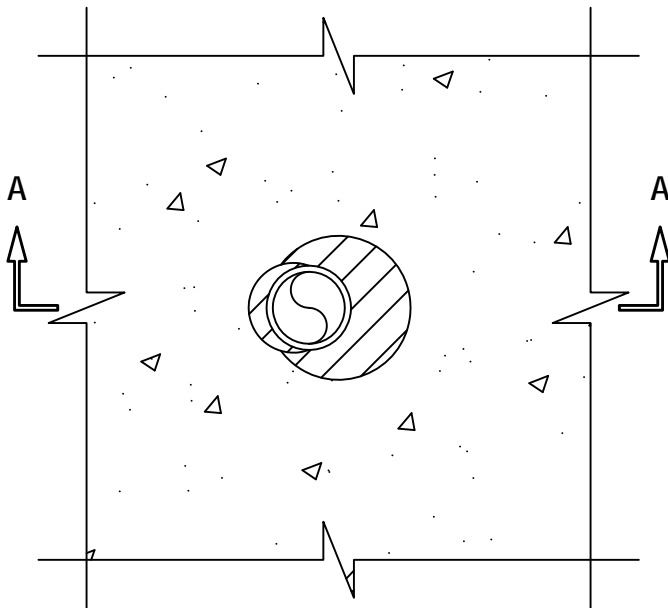
UL SYSTEM NO. C-AJ-2675

GLASS PIPE THROUGH CONCRETE FLOOR/WALL OR BLOCK WALL ASSEMBLY

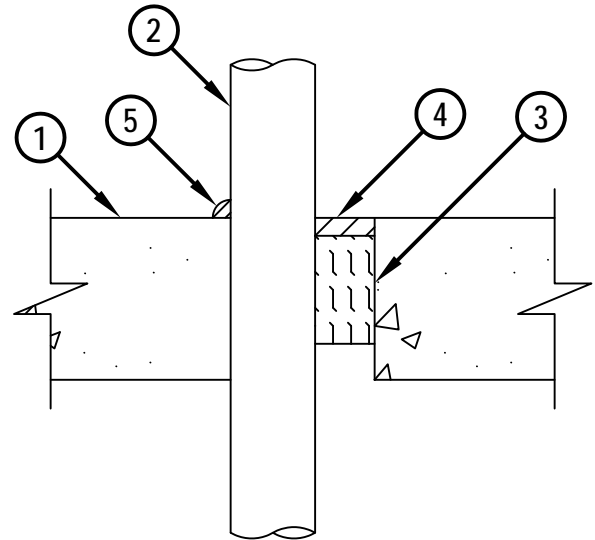
F-RATING = 2-HR.

T-RATING = 1-HR.

TOP VIEW



SECTION A-A



CAJ2675a.010914

1. CONCRETE FLOOR OR WALL ASSEMBLY (2-HR. FIRE-RATING) :
 - A. LIGHTWEIGHT OR NORMAL WEIGHT CONCRETE FLOOR OR WALL (MINIMUM 4-1/2" THICK).
 - B. ANY UL CLASSIFIED CONCRETE BLOCK WALL.
2. MAXIMUM 2" NOMINAL DIAMETER GLASS PIPE (CLOSED OR VENTED PIPING SYSTEM). PIPE COUPLING TO BE LOCATED MINIMUM 12" FROM FLOOR OR WALL SURFACE.
3. MINIMUM 3" THICKNESS MINERAL WOOL SAFING (MIN. 4 PCF DENSITY) TIGHTLY PACKED.
4. MINIMUM 1/2" DEPTH HILTI CFS-S SIL GG FIRESTOP SILICONE FIRESTOP SEALANT OR HILTI CFS-S SIL SL FIRESTOP SILICONE SEALANT (FLOORS ONLY).
5. MINIMUM 1/2" BEAD HILTI CFS-S SIL GG FIRESTOP SILICONE FIRESTOP SEALANT APPLIED AT POINT CONTACT.

NOTES : 1. MAXIMUM DIAMETER OF OPENING = 4".
2. ANNULAR SPACE = MINIMUM 0", MAXIMUM 1-3/4".
3. MINIMUM 1/2" DEPTH HILTI CFS-S SIL GG FIRESTOP SILICONE SEALANT IS REQUIRED ON EACH SIDE OF A WALL.



HILTI, Inc.
Tulsa, Oklahoma USA (800) 879-8000

Sheet	1 of 1
Scale	3/16" = 1"
Date	Jan. 09, 2014

Drawing No.

CAJ
2675a

Saving Lives through Innovation and Education