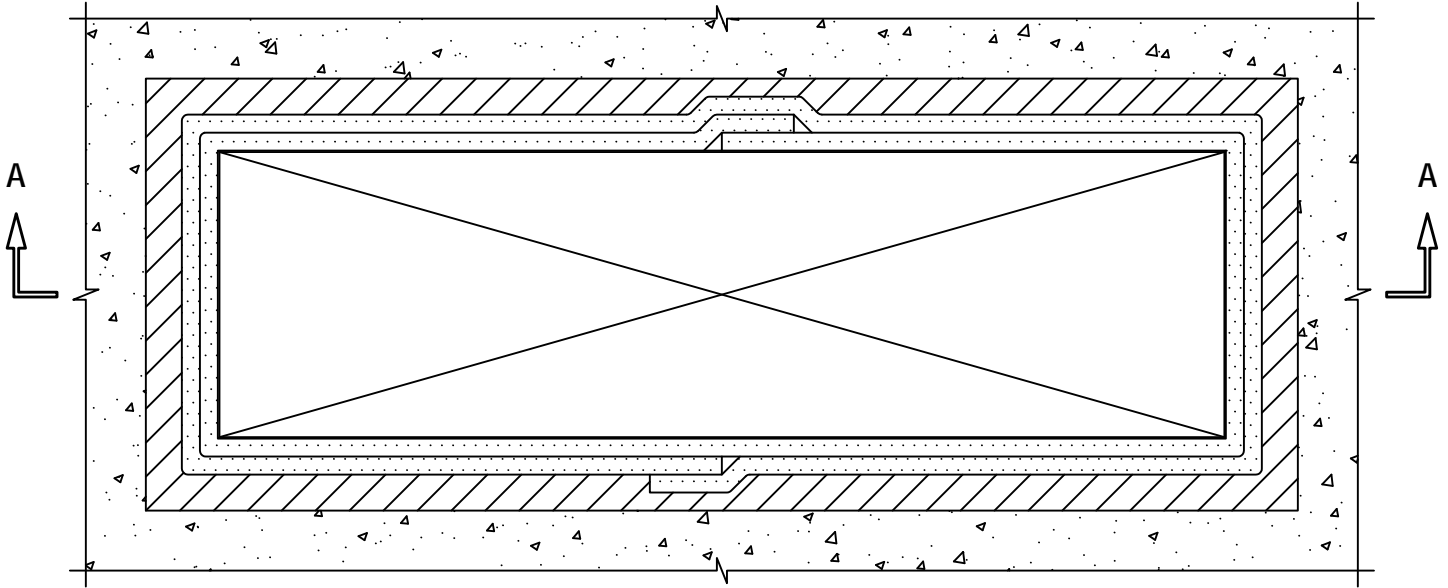


UL/cUL SYSTEM NO. C-AJ-7151

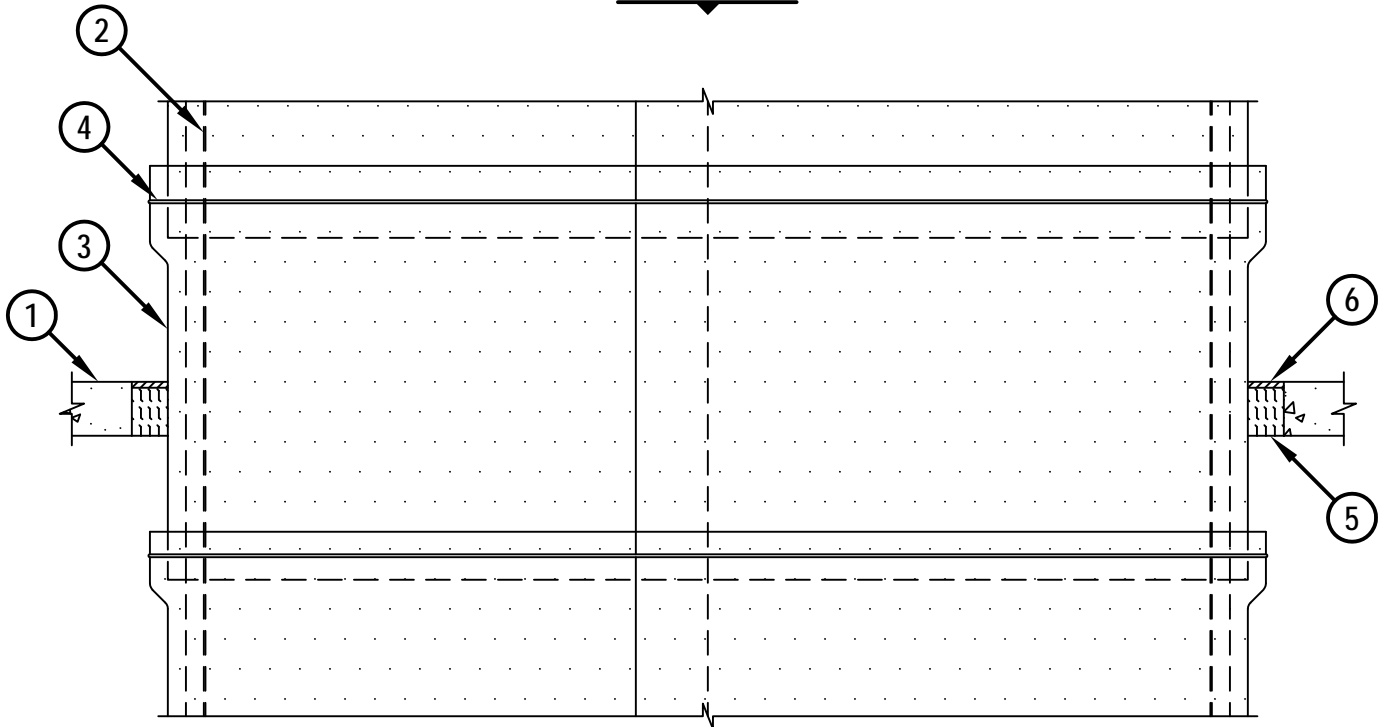
INSULATED DUCT (THERMAL CERAMICS) THROUGH CONCRETE FLOOR/WALL OR BLOCK WALL ASSEMBLY

F-RATING = 3-HR.
T-RATING = 3-HR.

TOP VIEW



SECTION A-A



CAJ7151a.123113



HILTI, Inc.
Tulsa, Oklahoma USA (800) 879-8000

Sheet	1 of 2
Scale	1/16" = 1"
Date	Dec. 31, 2013

Drawing No.

**CAJ
7151a**

Saving Lives through Innovation and Education

UL/cUL SYSTEM NO. C-AJ-7151

**INSULATED DUCT (THERMAL CERAMICS) THROUGH CONCRETE FLOOR/WALL
OR BLOCK WALL ASSEMBLY**

F-RATING = 3-HR.
T-RATING = 3-HR.

CAJ7151a.123113

1. CONCRETE FLOOR OR WALL ASSEMBLY (3-HR. FIRE-RATING) :
 - A. LIGHTWEIGHT OR NORMAL WEIGHT CONCRETE FLOOR (MINIMUM 4-1/2" THICK).
 - B. LIGHTWEIGHT OR NORMAL WEIGHT CONCRETE WALL (MINIMUM 4-3/4" THICK).
 - C. ANY UL/cUL CLASSIFIED CONCRETE BLOCK WALL.
2. SHEET METAL DUCT TO BE ONE OF THE FOLLOWING :
 - A. CARBON STEEL AIR DUCT (MIN. 26 GA.) WITH MAXIMUM PERIMETER DIMENSION OF 216" AND A MAXIMUM INDIVIDUAL DIMENSION OF 84".
 - B. CARBON STEEL GREASE DUCT (MIN. 16 GA.) WITH MAXIMUM PERIMETER DIMENSION OF 96" AND A MAXIMUM INDIVIDUAL DIMENSION OF 36".
3. TWO LAYERS NOMINAL 1-1/2" THICK FIREMASTER FAST WRAP XL, FIREMASTER FASTWRAP+, OR PYROSTAT DUCT WRAP XL (MANUFACTURED BY THERMAL CERAMICS) INSTALLED PER MANUFACTURER'S INSTRUCTIONS.
4. MINIMUM 1/2" WIDE x 0.015" THICK CARBON STEEL BANDING STRAPS SPACED 12" OC AND 1-1/2" FROM TRANSVERSE JOINTS OF DUCT WRAP.
5. MINIMUM 4" THICKNESS MINERAL WOOL SAFING (MIN. 3 PCF DENSITY) OR UNFACED DUCT WRAP MATERIAL TIGHTLY PACKED.
6. MINIMUM 1/2" DEPTH HILTI CFS-S SIL GG FIRESTOP SILICONE SEALANT OR HILTI CFS-S SIL SL FIRESTOP SILICONE SEALANT (FLOORS ONLY).

NOTES : 1. MAXIMUM AREA OF OPENING = 24 SQ. FT., WITH A MAXIMUM DIMENSION OF 96".
2. MINIMUM 1/2" DEPTH HILTI CFS-S SIL GG FIRESTOP SILICONE SEALANT IS REQUIRED ON BOTH SIDES OF A WALL ASSEMBLY.



HILTI, Inc.
Tulsa, Oklahoma USA (800) 879-8000

Sheet	2 of 2
Scale	-
Date	Dec. 31, 2013

Drawing No.
**CAJ
7151a**

Saving Lives through Innovation and Education