

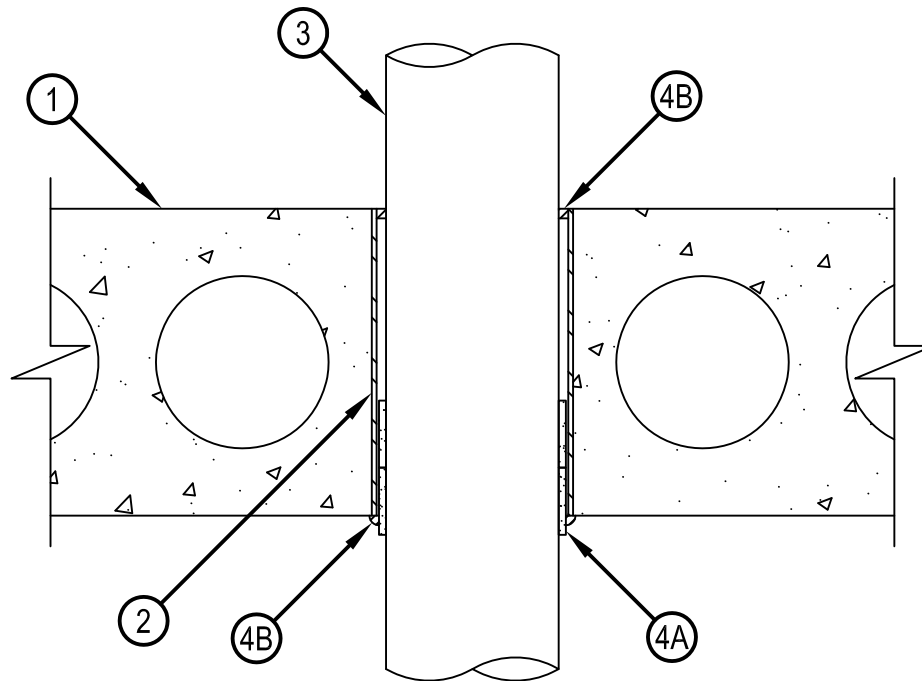


Classified by
Underwriters Laboratories, Inc.
to UL 1479

System No. C-BJ-2012

F Rating - 2 Hr
T Rating - 2 Hr

CBJ 2012



1. Floor or Wall Assembly — Floor or Wall Assembly—Min 8 in. (203 mm) thick reinforced lightweight or normal weight (100-150 pcf or 1600-2400 kg/m³) concrete. Floor assembly may also be constructed of any 8 in. (203 mm), thick UL Classified hollow-core Precast Concrete Units*. Wall may also be constructed of any UL Classified Concrete Blocks*. Max diameter of opening is 5 in. (127 mm).
See Precast Concrete Units CFTV) and Concrete Blocks category in the Fire Resistance Directory for names of manufacturers.
2. Metallic Sleeve — Nom 5 in. (127 mm) diam (or smaller) cylindrical sleeve fabricated from 0.016 in. thick (28MSG) galvanized steel and having a min 1 in. (25 mm) lap along longitudinal seam. Sleeve to be installed flush with both surfaces of floor or wall. As an option, sleeve may extend 1/2 in. (13 mm) beyond bottom surface of floor or both surfaces of wall.
3. Through Penetrants — One nonmetallic pipe to be installed concentrically within the firestop system. Annular space between pipe and edge of opening to be 1/4 in. (6 mm). Pipe to be rigidly supported on both sides of floor or wall assembly. The following types and sizes of nonmetallic pipes may be used:
 - A. Polyvinyl Chloride (PVC) Pipe — Nom 4 in. (102 mm) diam (or smaller) Schedule 40 solid or cellular core PVC pipe for use in closed (process or supply) or vented (drain, waste or vent) piping systems.
 - B. Chlorinated Polyvinyl Chloride (CPVC) Pipe — Nom 4 in. (102 mm) diam (or smaller) SDR13.5 CPVC pipe for use in closed (process or supply) piping systems.
4. Firestop System — The firestop system shall consist of the following:
 - A. Fill, Void or Cavity Materials* - Wrap Strip — Nom 3/16 in. (5 mm) thick by 1-3/4 in. (44 mm) wide intumescent wrap strip. Two stacks of wrap strip, consisting of one layer each, tightly wrapped around pipe with ends butted and held in place with tape. Wrap strip installed at bottom of floor such that 1/2 in. (13 mm) extends beyond bottom surface of floor of both surfaces of wall.
HILTI CONSTRUCTION CHEMICALS, DIV OF HILTI INC — CP 648-E W45/1-3/4" Wrap Strip
 - B. Fill, Void or Cavity Materials* - Sealant — Min 1/4 in. (6 mm) thickness of fill material applied within the annulus, flush with top surface of floor.
HILTI CONSTRUCTION CHEMICALS, DIV OF HILTI INC — FS-ONE Sealant or FS-ONE MAX Intumescent Sealant

* Indicates such products shall bear the UL or cUL Certification Mark for jurisdictions employing the UL or cUL Certification (such as Canada), respectively.



Hilti Firestop Systems

Reproduced by HILTI, Inc. Courtesy of
Underwriters Laboratories, Inc.

January 14, 2015