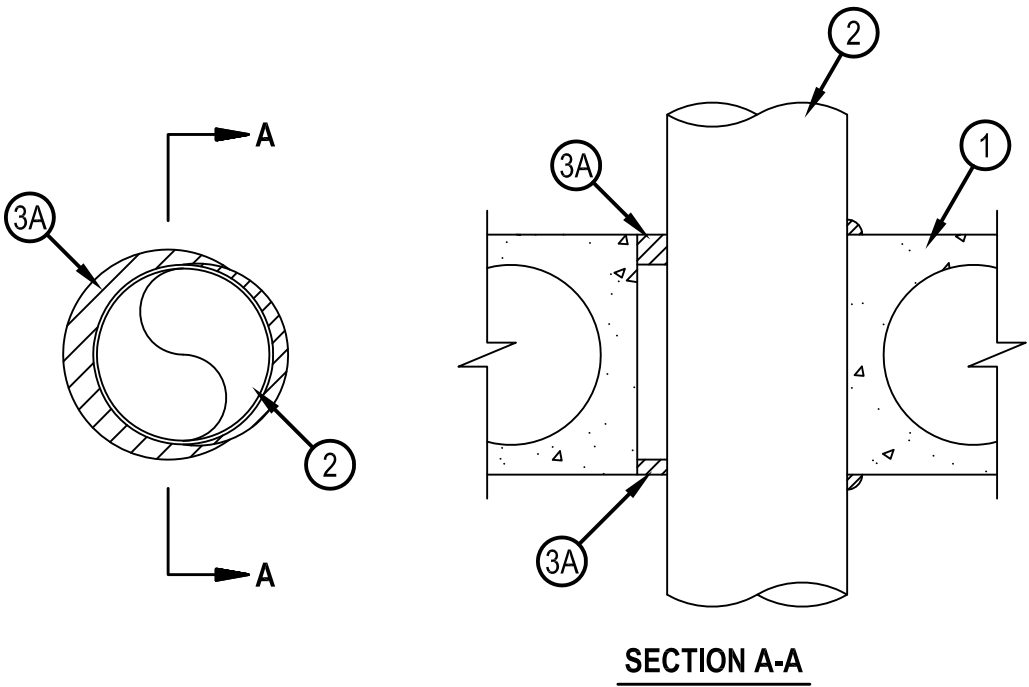


## System No. C-BJ-7005



ANSI/UL1479 (ASTM E814)	CAN/ULC S115
F Rating — 3 Hr	F Rating — 3 Hr
T Rating — 1/4 Hr	FT Rating — 1/4 Hr
	FH Rating — 3 Hr
	FTH Rating — 1/4 Hr



1. Floor or Wall Assembly — Min 8 in. (203 mm) thick floor or wall made from reinforced lightweight or normal weight (100-150 pcf or 1600-2400 kg/m<sup>3</sup>) concrete. Floor assembly may also be constructed of any 8 in. (203 mm) thick UL Classified hollow-core Precast Concrete Units\*. Wall may also be constructed of any UL Classified Concrete Blocks\*. Max diameter of opening is 7 in. (178 mm).  
See Concrete Blocks (CAZT) and Precast Concrete Units (CFTV) category in the Fire Resistance Directory for names of manufacturers.
2. Steel Duct — Nom 6 in. (152 mm) diam (or smaller) No. 30 gauge (or heavier) galv steel duct. One duct to be installed either concentrically or eccentrically within the firestop system. The annular space between duct and periphery of opening shall be min 0 in. (point contact) to max 1 in. (25 mm). Duct to be rigidly supported on both sides of floor or wall assembly.
3. Firestop System — The firestop system shall consist of the following:
  - A. Fill Void or Cavity Material\* — Sealant — In floors, min 1 in. (25 mm) thickness of fill material applied within annulus flush with top surface of floor and min 1/2 in. (13 mm) thickness of fill material applied within annulus flush with bottom surface of floor. In walls, min 1 in. (25 mm) thickness of fill material applied within annulus flush with both surfaces of wall. In addition, min 1/2 in. (13 mm) bead of fill material applied at all point contact locations at penetrant/concrete interface, on both sides of floor or wall.  
HILTI CONSTRUCTION CHEMICALS, DIV OF HILTI INC — FS-ONE Sealant or FS-ONE MAX Intumescent Sealant.

\* Indicates such products shall bear the UL or cUL Certification Mark for jurisdictions employing the UL or cUL Certification (such as Canada), respectively.



Reproduced by HILTI, Inc. Courtesy of  
Underwriters Laboratories, Inc.  
January 16, 2015