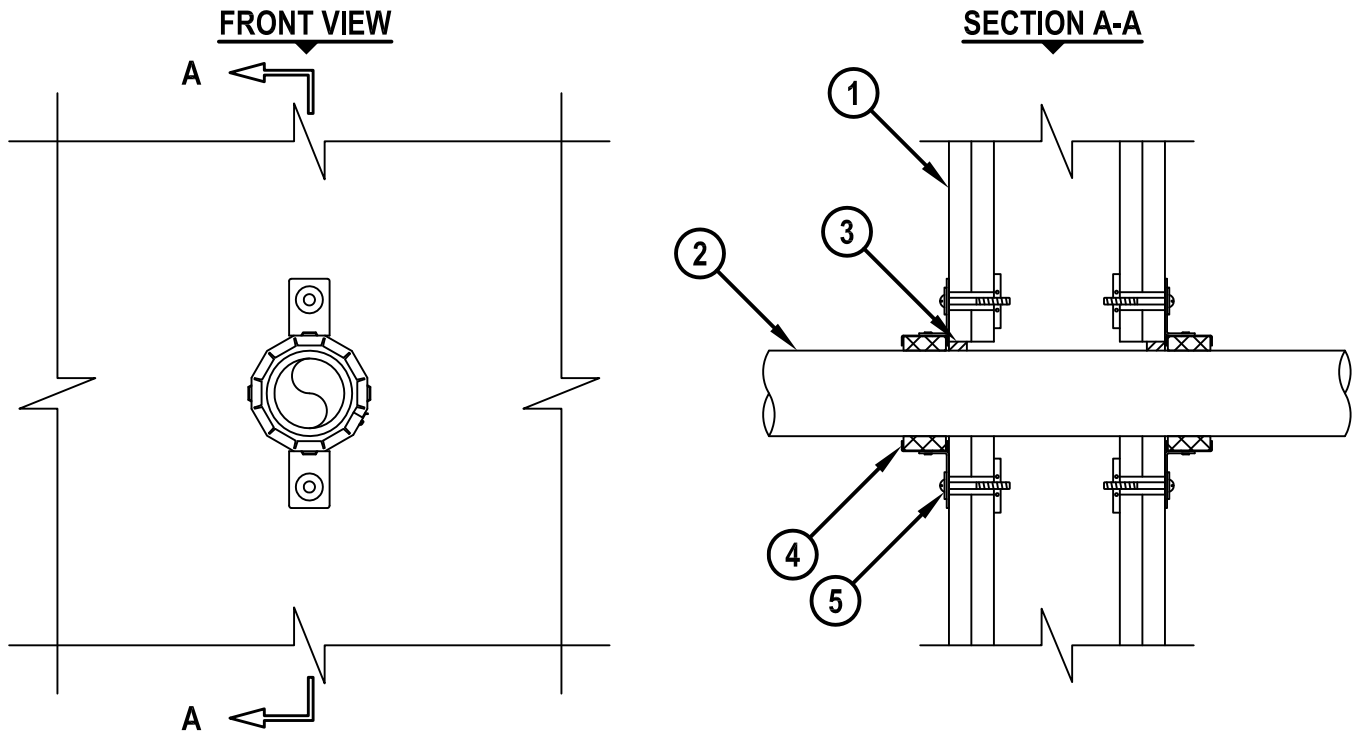


UL SYSTEM NO. W-L-2045

PLASTIC PIPE THROUGH GYPSUM WALL ASSEMBLY

F-RATING = 1-HR. OR 2-HR.
T-RATING = 1-HR. OR 1-1/4-HR.

WL2045d.021516



1. GYPSUM WALL ASSEMBLY (UL CLASSIFIED U300, U400, V400, OR W400 SERIES) (1-HR. OR 2-HR. FIRE-RATING) (2-HR. SHOWN) TO INCLUDE THE FOLLOWING CONSTRUCTION FEATURES :
 - A. [NOT SHOWN] WOOD STUDS TO CONSIST OF NOMINAL 2" x 4" LUMBER (SPACED MAXIMUM 16" OC). STEEL STUDS TO BE MINIMUM 3-1/2" WIDE (SPACED MAXIMUM 24" OC).
 - B. NOMINAL 5/8" THICK GYPSUM WALLBOARD. TYPE, NUMBER OF LAYERS, AND SHEET ORIENTATION AS SPECIFIED IN THE INDIVIDUAL UL DESIGN.
2. PENETRATING ITEM TO BE ONE OF THE FOLLOWING :
 - A. MAXIMUM 2" NOMINAL DIAMETER POLYPROPYLENE (PP) PLASTIC PIPE (SCHEDULE 80) (CLOSED OR VENTED PIPING SYSTEM).
 - B. MAXIMUM 2" NOMINAL DIAMETER AQUATHERM GREENPIPE POLYPROPYLENE (PP) PLASTIC PIPE (SDR 11 OR 7.4) (CLOSED PIPING SYSTEM).
 - C. MAXIMUM 2" NOMINAL DIAMETER POLYSTAR CT-WHITE (SDR 11, 9, OR 7.4) (MFG. BY ORION) (CLOSED PIPING SYSTEM).
3. MINIMUM 1/2" DEPTH HILTI FS-ONE MAX OR FS-ONE INTUMESCENT FIRESTOP SEALANT.
4. HILTI CP 643N FIRESTOP COLLAR WITH FASTENING HOOKS.
5. SECURE EACH FASTENING HOOK TO WALL ASSEMBLY WITH HILTI 3/16" TOGGLER BOLTS AND WASHERS.

NOTES : 1. MAXIMUM DIAMETER OF OPENING = 3".
2. ANNULAR SPACE = MINIMUM 0", MAXIMUM 5/8".



HILTI, Inc.
Plano, Texas USA (800) 879-8000

Sheet	1 of 1
Scale	3/16" = 1"
Date	Feb. 15, 2016

Drawing No.

WL
2045d

Saving Lives through Innovation and Education