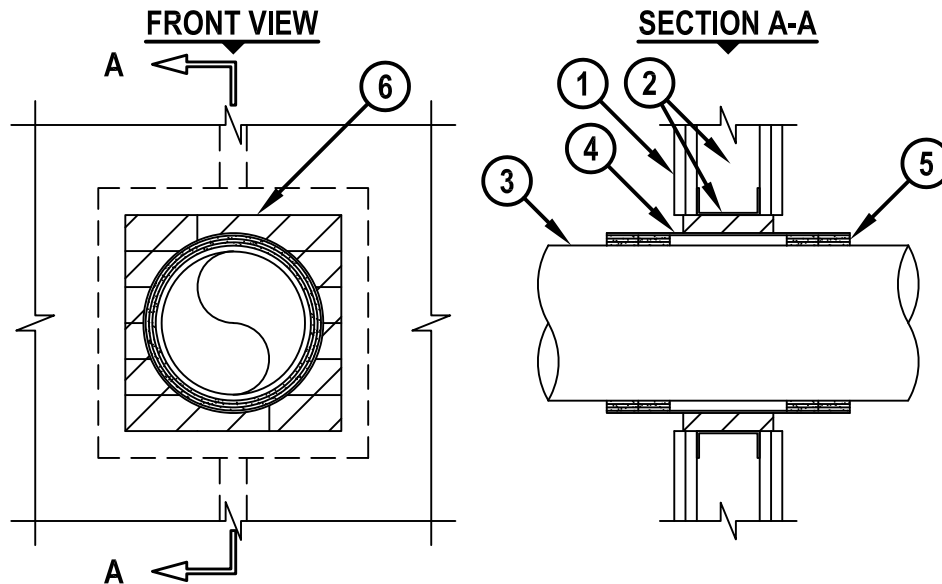


UL SYSTEM NO. W-L-2584

## PLASTIC PIPE THROUGH GYPSUM WALL ASSEMBLY

F-RATING = 1-HR. OR 2-HR.

T-RATING = 0-HR. OR 1-1/2-HR.



1. GYPSUM WALL ASSEMBLY (UL CLASSIFIED U300, U400, V400, OR W400 SERIES) (1-HR. OR 2-HR. FIRE-RATING) (2-HR. SHOWN).
2. [NOT SHOWN] WOOD STUDS TO CONSIST OF NOMINAL 2" x 4" LUMBER (SPACED MAXIMUM 16" OC). STEEL STUDS TO BE MINIMUM 3-1/2" WIDE (SPACED MAXIMUM 24" OC). OPENING TO BE FRAMED OUT.
3. MAXIMUM 8" NOMINAL DIAMETER HIGH DENSITY POLYETHYLENE (HDPE) PLASTIC PIPE (SDR 11) (CLOSED PIPING SYSTEM ONLY).
4. SHEET METAL SLEEVE (MIN. 30 GA.) HAVING A 2" LAP ALONG LONGITUDINAL SEAM. LENGTH OF SLEEVE TO EXTEND 3-1/4" TO 3-3/4" BEYOND EACH SURFACE OF WALL AND SECURED TOGETHER WITH FOUR NO. 8 SHEET METAL SCREWS ON EACH END OF SLEEVE.
5. HILTI CP 648E WRAP STRIP (NOMINAL 3/16" x 1-3/4" WIDE) CONTINUOUSLY WRAPPED AROUND THE OUTER CIRCUMFERENCE OF THE PIPE, COVERING THREE TIMES, WITH ENDS BUTTED AND HELD IN PLACE WITH TAPE. TWO SETS OF WRAP STRIP INSTALLED WITHIN THE STEEL SLEEVE ON EACH SIDE OF THE WALL.
6. HILTI CFS-BL FIRESTOP BLOCK (2" THICK x 8" WIDE x 5" DEEP, REFERENCE : FRONT VIEW) FIRMLY PACKED AROUND SLEEVE AND CENTERED WITHIN OPENING (SEE NOTE NO. 4 BELOW).

NOTES : 1. MAXIMUM AREA OF OPENING = 144 SQ. IN., WITH A MAXIMUM DIMENSION OF 12".  
2. ANNULAR SPACE = MINIMUM 1-1/4".  
3. APPLY HILTI FS-ONE MAX INTUMESCENT FIRESTOP SEALANT, HILTI CP 618 FIRESTOP PUTTY STICK, HILTI CP 620 FIRE FOAM, OR HILTI CP 660 FIRESTOP FOAM INTO ANY VOID THAT MAY EXIST (AROUND PENETRANTS, BETWEEN FIRESTOP BLOCKS) TO MAXIMUM EXTENT POSSIBLE.  
4. FOR WALLS CONSTRUCTED OF STEEL STUDS LARGER THAN 3-5/8", FIRESTOP BLOCKS SHOULD BE INSTALLED 8" DEEP. FIRESTOP BLOCKS MAY BE RECESSED MAXIMUM 1/2" FROM SURFACE OF WALL.



HILTI, Inc.  
Plano, Texas USA (800) 879-8000

Sheet	1 of 1
Scale	3/32" = 1"
Date	Apr. 18, 2018

Drawing No.

**WL  
2584e**

*Saving Lives through Innovation and Education*

WL2584e.041818