



Classified by  
Underwriters Laboratories, Inc.  
to UL 1479

## System No. F-A-2071

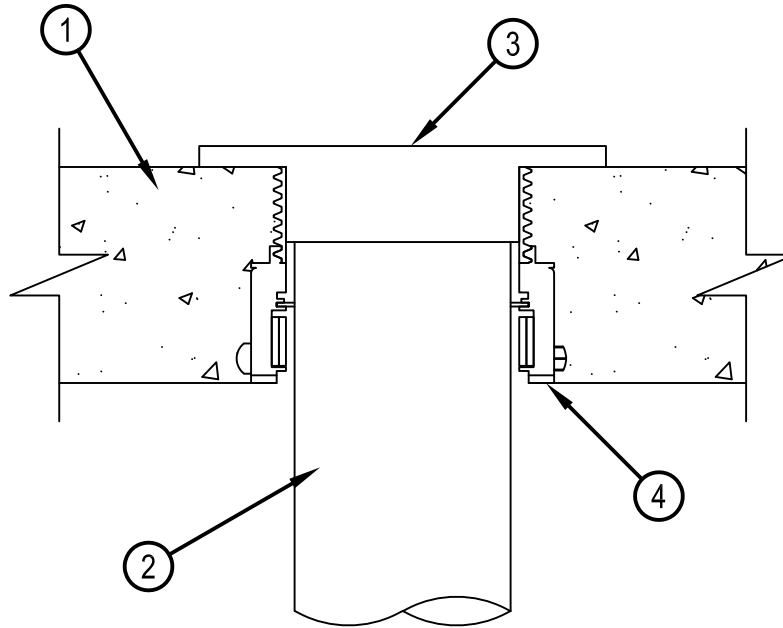
F Rating — 3 Hr

T Rating — 0 Hr

L Rating At Ambient — Less Than 1 CFM/sq ft (See Item 3)

L Rating At 400 F — Less Than 1 CFM/sq ft (See Item 3)

FA 2071



1. Floor Assembly — Min 4-1/2 in. (114 mm) thick reinforced lightweight or normal weight (100-150 pcf) concrete.
- 1A. Floor Assembly — (Optional - Not Shown)-The fire rated unprotected concrete and steel floor assembly shall be constructed of the materials and in the manner specified in the individual D900 Series designs in the UL Fire Resistance Directory and as summarized below:
  - A. Concrete — Min 4-1/2 in. (114 mm) thick reinforced lightweight or normal weight (100-150 pcf or 1600-2400 kg/m<sup>3</sup>) concrete.
  - B. Steel Floor and Form Units\* — Composite or non-composite max 3 in. (76 mm) deep galv steel fluted units as specified in the individual Floor-Ceiling Design.
2. Firestop Device\* — Cast in place firestop device permanently embedded during concrete placement or grouted in concrete assembly in accordance with accompanying installation instructions. Device to be cut flush with top surface of the concrete.  
HILTI CONSTRUCTION CHEMICALS, DIV OF HILTI INC — CP680-110/4"N, CP 680-P 4"
3. Closet Flange — Polyvinyl chloride (PVC) or acrylonitrile butadiene styrene (ABS) closet stub sized to accommodate drain pipe. Closet flange installed over drain piping within top of Firestop Device with flange secured to concrete floor with 1/4 in. (6 mm) diameter steel expansion bolts in conjunction with steel nuts and 3/4 in. (19 mm) diameter steel washers. L Rating applies only to CP 680-P device.
4. Drain Piping — Nom 4 in. (102 mm) diam Schedule 40 cellular or solid core polyvinyl chloride (PVC) or acrylonitrile butadiene styrene (ABS) drain piping and fittings.

\*Bearing the UL Classification Mark



**Hilti Firestop Systems**

Reproduced by HILTI, Inc. Courtesy of  
Underwriters Laboratories, Inc.

January 09, 2008