

UL SYSTEM NO. F-A-2071

**CLOSET FLANGE AND DRAIN PIPING THROUGH CONCRETE FLOOR
OR CONCRETE OVER METAL DECKING**

F-RATING = 3-HR.

T-RATING = 0-HR.

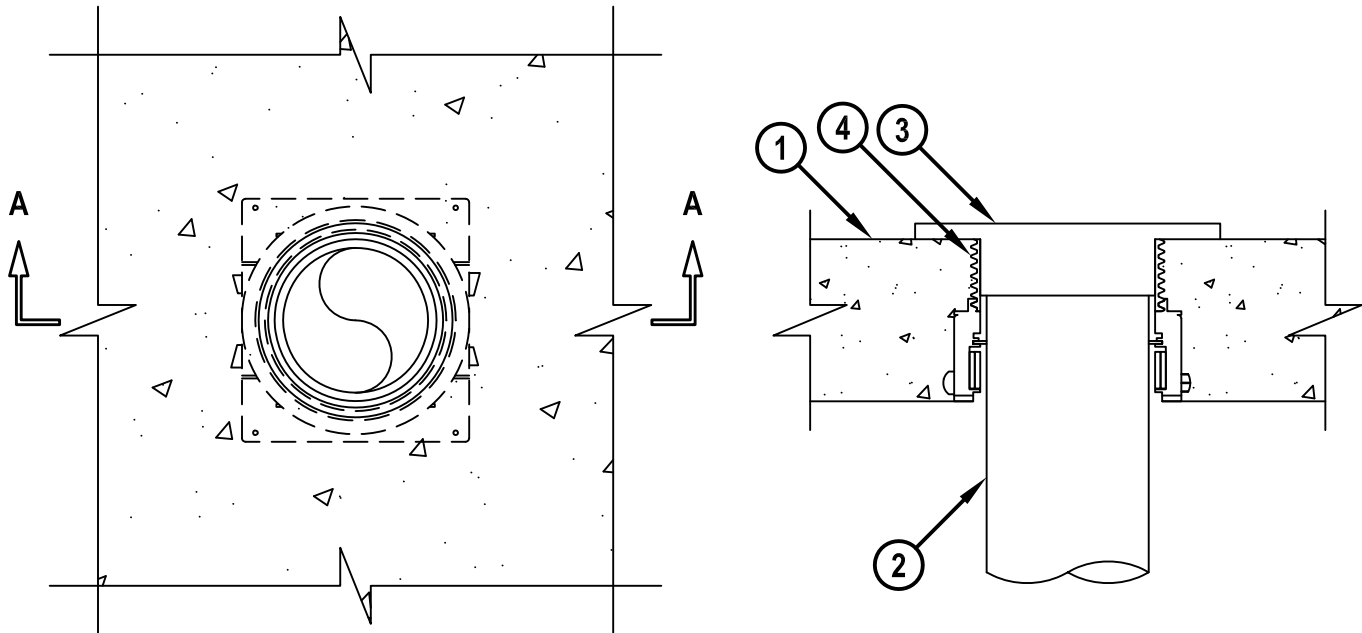
L-RATING AT AMBIENT = LESS THAN 1 CFM/SQ. FT.

L-RATING AT 400°F = LESS THAN 1 CFM/SQ. FT.

FA2071f.121007

TOP VIEW

SECTION A-A



1. CONCRETE FLOOR ASSEMBLY (3-HR. FIRE-RATING) :
 - A. LIGHTWEIGHT OR NORMAL WEIGHT CONCRETE FLOOR (MINIMUM 4-1/2" THICK).
 - B. STEEL FLOOR UNIT/FLOOR ASSEMBLY - LIGHTWEIGHT OR NORMAL WEIGHT CONCRETE FLOOR (MINIMUM 4-1/2" THICK) OVER METAL DECKING.
2. DRAIN PIPING AND FITTINGS TO BE ONE OF THE FOLLOWING :
 - A. NOMINAL 4" DIAMETER PVC PLASTIC PIPE (CELLULAR OR SOLID CORE).
 - B. NOMINAL 4" DIAMETER ABS PLASTIC PIPE (CELLULAR OR SOLID CORE).
3. PVC OR ABS CLOSET FLANGE SIZED TO ACCOMMODATE DRAIN PIPE. CLOSET FLANGE SECURED TO CONCRETE FLOOR WITH 1/4" DIAMETER STEEL EXPANSION BOLTS IN CONJUNCTION WITH STEEL NUTS AND 3/4" DIAMETER STEEL WASHERS.
4. HILTI CP 680-P 4" CAST-IN FIRESTOP DEVICE, CAST OR GROUTED INTO CONCRETE FLOOR.

NOTES : 1. PVC AND ABS PLASTIC PIPE = SCHEDULE 40.
2. FOR CONCRETE FLOOR OVER METAL DECKING APPLICATIONS,
A METAL DECK ADAPTER KIT IS REQUIRED.



HILTI, Inc.
Tulsa, Oklahoma USA (800) 879-8000

Sheet	1 of 1
Scale	3/16" = 1"
Date	Dec. 10, 2007

Drawing No.

**FA
2071f**

Saving Lives through Innovation and Education