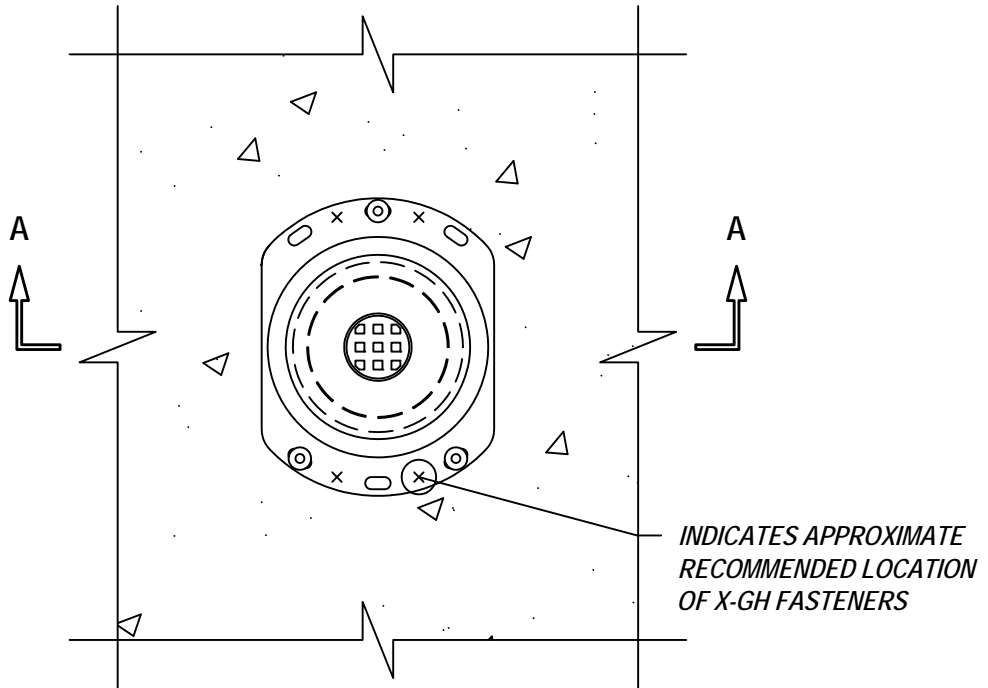


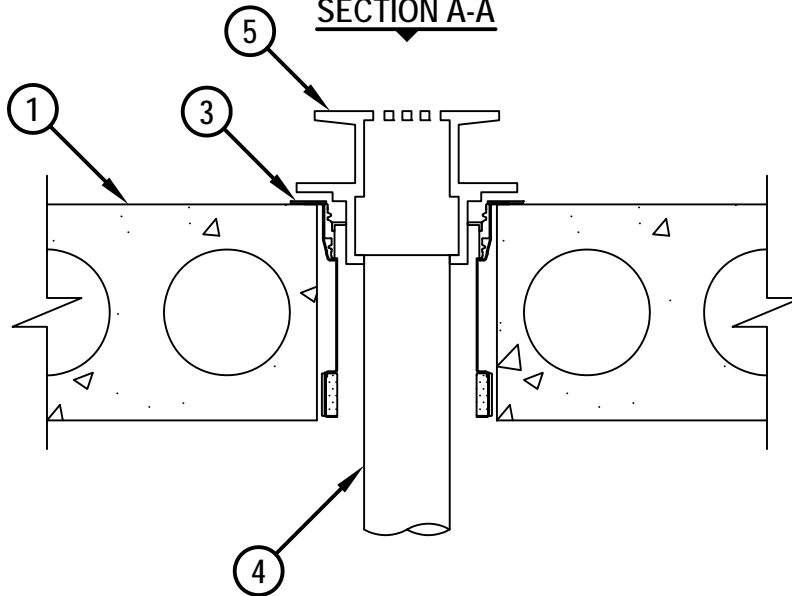
UL SYSTEM NO. F-B-2056  
**FLOOR DRAIN THROUGH CONCRETE FLOOR ASSEMBLY**

F-RATING = 2-HR.  
 T-RATING = 0-HR.

**TOP VIEW**



**SECTION A-A**



FB2056a.050114



HILTI, Inc.  
 Tulsa, Oklahoma USA (800) 879-8000

|       |              |
|-------|--------------|
| Sheet | 1 of 2       |
| Scale | 3/16" = 1"   |
| Date  | May 01, 2014 |

Drawing No.

**FB  
 2056a**

**Saving Lives through Innovation and Education**

**FLOOR DRAIN THROUGH CONCRETE FLOOR ASSEMBLY**

F-RATING = 2-HR.

T-RATING = 0-HR.

FB2056a.050114

1. CONCRETE FLOOR ASSEMBLY (2-HR. FIRE-RATING) :
  - A. LIGHTWEIGHT OR NORMAL WEIGHT CONCRETE FLOOR (MINIMUM 6" TO 12" THICK).
  - B. ANY UL CLASSIFIED PRECAST HOLLOW-CORE FLOOR ASSEMBLY (MINIMUM 6" TO 12-1/2" THICK).
2. [OPTIONAL - NOT SHOWN] NOMINAL 5" DIAMETER GALVANIZED STEEL SLEEVE (MIN. 26 GA.), HAVING A MINIMUM 2" LAP ALONG THE LONGITUDINAL SEAM, INSERTED INTO THE OPENING. SLEEVE MAY EXTEND A MAXIMUM 4" BELOW BOTTOM SURFACE OF FLOOR AND SIT FLUSH WITH TOP SURFACE OF FLOOR (SEE NOTE NO. 2 BELOW).
3. HILTI CFS-DID FIRESTOP DROP-IN DEVICE INSERTED INTO OPENING (SEE TABLE BELOW) AND SECURED TO TOP OF FLOOR WITH THREE HILTI 1/4" (6mm) DIAMETER BY 1-1/4" (32mm) LONG KWIK-CON II+ CONCRETE SCREW ANCHORS, HILTI 1/4" (6mm) DIAMETER BY 1-3/4" (45mm) LONG KWIK BOLT 3 STEEL EXPANSION ANCHORS, OR HILTI 1/4" (6mm) BY 3/4" (19mm) LONG METAL HIT ANCHORS (INSTALLED IN A TRIANGULAR FASHION THROUGH HOLES PROVIDED). IN ADDITION, FOUR 11/16" (18mm) LONG HILTI X-GH P18 MX STEEL FASTENERS MAY BE INSTALLED THROUGH THE STEEL FLANGE, TWO ON EACH SIDE.
4. NOMINAL 2" DIAMETER PVC PLASTIC PIPE (CELLULAR OR SOLID CORE) (SCHEDULE 40) CEMENTED INTO BOTTOM OF SHOWER/FLOOR DRAIN.
5. PVC FITTING WITH CHROMED STEEL SHOWER OR FLOOR DRAIN STRAINER SIZED TO ACCOMMODATE DRAIN PIPE.

| FIRESTOP DEVICE | FLOOR THICKNESS<br>(MIN. TO MAX.) |
|-----------------|-----------------------------------|
| CFS-DID 3" C    | 6" to 12" CONCRETE FLOOR          |
| CFS-DID 3" C    | 6" to 6-1/2" HOLLOW CORE          |
| CFS-DID 3" HC8  | 7-1/2" to 8-1/2" HOLLOW CORE      |
| CFS-DID 3" HC10 | 9-1/2" to 10-1/2" HOLLOW CORE     |
| CFS-DID 3" HC12 | 11-1/2" to 12-1/2" HOLLOW CORE    |

NOTES : 1. MAXIMUM DIAMETER OF OPENING = 5".  
 2. [OPTIONAL - NOT SHOWN] IN CONCRETE FLOORS ONLY, NOMINAL 5" DIAMETER STEEL PIPE SLEEVE (SCHEDULE 10 OR HEAVIER) MAY BE CAST OR GROUND INTO CONCRETE.



HILTI, Inc.  
 Tulsa, Oklahoma USA (800) 879-8000

|       |              |
|-------|--------------|
| Sheet | 2 of 2       |
| Scale | -            |
| Date  | May 01, 2014 |

Drawing No.  
**FB**  
**2056a**