

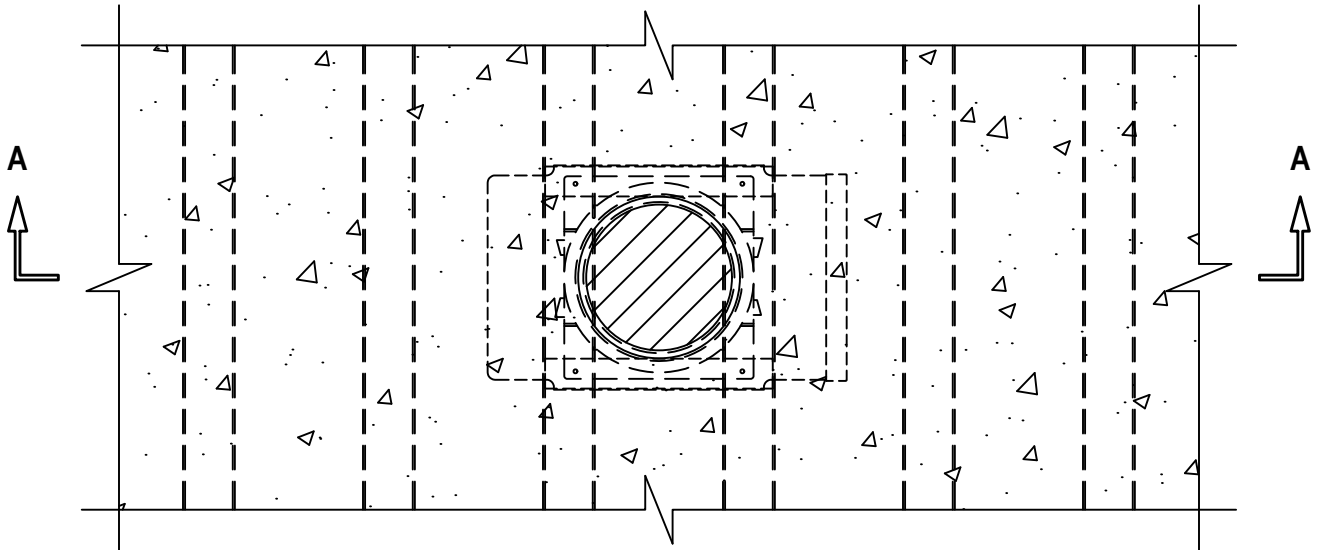
UL/cUL SYSTEM NO. F-A-0040

BLANK OPENING THROUGH CONCRETE FLOOR OVER METAL DECK ASSEMBLY

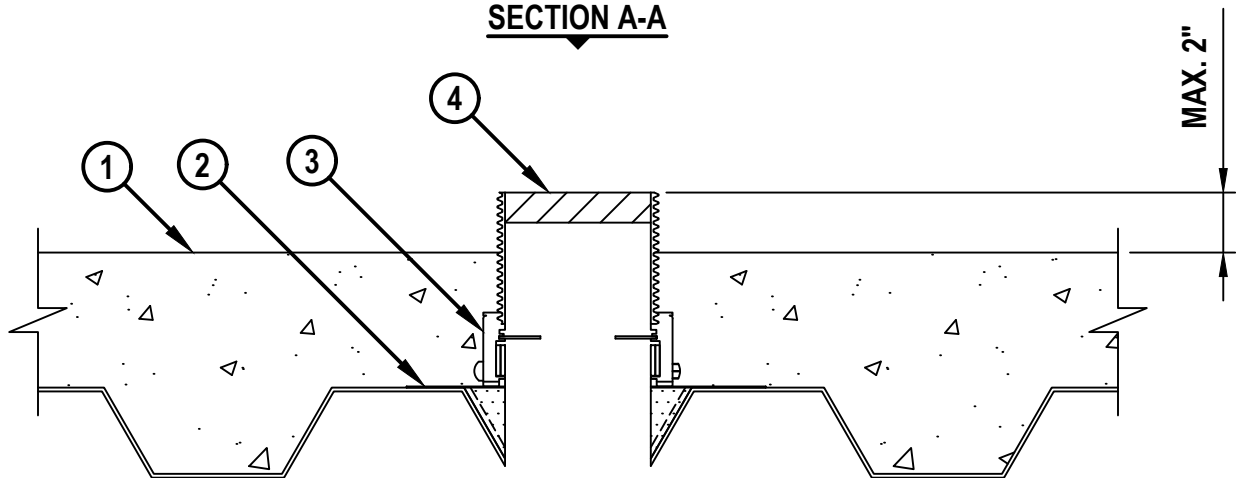
F-RATING = 2-HR. OR 3-HR.
T-RATING = 0-HR., 1-HR., OR 3-HR.

FA0040b.111319

TOP VIEW



SECTION A-A



HILTI, Inc.
Plano, Texas USA (800) 879-8000

Sheet 1 of 2
Scale 5/32" = 1"
Date Nov. 13, 2019

Drawing No.
**FA
0040b**

Saving Lives through Innovation and Education

BLANK OPENING THROUGH CONCRETE FLOOR OVER METAL DECK ASSEMBLY

F-RATING = 2-HR. OR 3-HR.
T-RATING = 0-HR., 1-HR., OR 3-HR.

FA0040b.111319

1. LIGHTWEIGHT OR NORMAL WEIGHT CONCRETE FLOOR OVER METAL DECKING ASSEMBLY (UL/cUL CLASSIFIED D900 SERIES) WITH 2" OR 3" FLUTED DECKS :
 - A. MINIMUM 2-1/2" THICK (2-HR. FIRE-RATING).
 - B. MINIMUM 4-1/2" THICK (3-HR. FIRE-RATING).
2. HILTI CFS-CID MD PLT [W2" OR W3"] METAL DECK PLATFORM SECURED TO DECK WITH ONE FASTENER IN EACH CORNER.
3. HILTI CFS-CID MD [P OR PX] [2", 3", OR 4"]/[2.5" OR 4"] FIRESTOP CAST-IN DEVICE FOR METAL DECK SECURED TO HILTI CFS-CID MD PLT METAL DECK PLATFORM WITH SCREWS. THE 2.5" HEIGHT DEVICES ARE INTENDED FOR A 2-1/2" CONCRETE TOPPING AND THE 4" HEIGHT DEVICES ARE FOR CONCRETE TOPPINGS GREATER THAN 2-1/2" THICK.
4. MINIMUM 1" DEPTH HILTI CP 618 FIRESTOP PUTTY STICK (SEE NOTE BELOW).

MIN FLOOR THICKNESS	F-RATINGS	T-RATINGS		
		CP 618	MINERAL WOOL	
			CFS-CID MD 2" CFS-CID MD 3"	CFS-CID MD 4"
2-1/2"	2-HR.	1-HR.	N/A	N/A
4-1/2"	3-HR.	3-HR.	3-HR.	0-HR.

NOTE : AS AN ALTERNATE TO HILTI CP 618 FIRESTOP PUTTY STICK AND FOR 4" HEIGHT DEVICES AND MINIMUM 4-1/2" CONCRETE ONLY, MINIMUM 4" THICKNESS MINERAL WOOL (MIN. 4 PCF DENSITY) MAY BE TIGHTLY PACKED INTO CAST-IN PLACE FIRESTOP DEVICE FLUSH WITH TOP SURFACE OF DEVICE.



Hilti Firestop Systems

HILTI, Inc.
Plano, Texas USA (800) 879-8000

Sheet 2 of 2

Scale -

Date Nov. 13, 2019

Drawing No.

**FA
0040b**