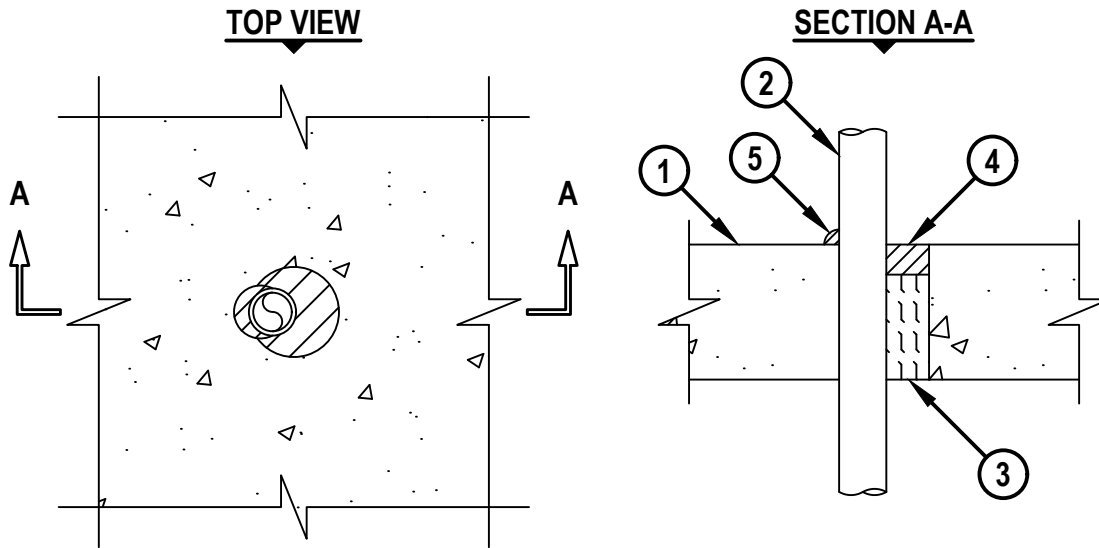


PLASTIC PIPE THROUGH CONCRETE FLOOR/WALL OR BLOCK WALL ASSEMBLY

F-RATING = 2-HR.

T-RATING = 2-HR.

CAJ2700c.010317



1. CONCRETE FLOOR OR WALL ASSEMBLY (2-HR. FIRE-RATING) :
 - A. LIGHTWEIGHT OR NORMAL WEIGHT CONCRETE FLOOR OR WALL (MINIMUM 4-1/2" THICK).
 - B. ANY UL CLASSIFIED PRECAST (HOLLOW-CORE) CONCRETE FLOOR (MINIMUM 6" THICK).
 - C. ANY UL CLASSIFIED CONCRETE BLOCK WALL.
2. PENETRATING ITEM TO BE ONE OF THE FOLLOWING :
 - A. MAXIMUM 1-1/4" [40mm OD] NOMINAL DIAMETER POLYSTAR™ CT-WHITE (SDR 11) PP PLASTIC PIPE (MANUFACTURED BY ORION) (CLOSED PIPING SYSTEM).
 - B. MAXIMUM 1" [32mm OD] NOMINAL DIAMETER POLYSTAR™ CT-WHITE (SDR 9) PP PLASTIC PIPE (MANUFACTURED BY ORION) (CLOSED PIPING SYSTEM).
 - C. MAXIMUM 3/4" [25mm OD] NOMINAL DIAMETER POLYSTAR™ CT-WHITE (SDR 7.4) PP PLASTIC PIPE (MANUFACTURED BY ORION) (CLOSED PIPING SYSTEM).
 - D. MAXIMUM 1-1/4" [32mm] NOMINAL DIAMETER PP-R PLASTIC PIPE (MANUFACTURED BY COSMOPLAST) (CLOSED PIPING SYSTEM).
 - E. MAXIMUM 1-1/4" [32mm] NOMINAL DIAMETER PP-R PLASTIC PIPE (MANUFACTURED BY COPRAX) (CLOSED PIPING SYSTEM).
3. MINIMUM 3-1/2" THICKNESS MINERAL WOOL SAFING (MIN. 4 PCF DENSITY) TIGHTLY PACKED.
4. MINIMUM 1" DEPTH HILTI FS-ONE MAX INTUMESCENT FIRESTOP SEALANT.
5. MINIMUM 1/2" BEAD HILTI FS-ONE MAX INTUMESCENT FIRESTOP SEALANT APPLIED AT POINT OF CONTACT.

NOTES : 1. MAXIMUM DIAMETER OF OPENING = 3".
 2. ANNULAR SPACE = MINIMUM 0", MAXIMUM 2".
 3. MINIMUM 1" DEPTH HILTI FS-ONE MAX INTUMESCENT FIRESTOP SEALANT IS REQUIRED ON EACH SIDE OF A WALL.
 4. WHEN PRECAST (HOLLOW-CORE) UNITS ARE USED, MINERAL WOOL SHALL BE INSTALLED FLUSH WITH LOWER SURFACE OF FLOOR.

 Hilti Firestop Systems	HILTI, Inc. Tulsa, Oklahoma USA (800) 879-8000	Sheet 1 of 1 Scale 5/32" = 1" Date Jan. 03, 2017	Drawing No. CAJ 2700c
	Saving Lives through Innovation and Education		