

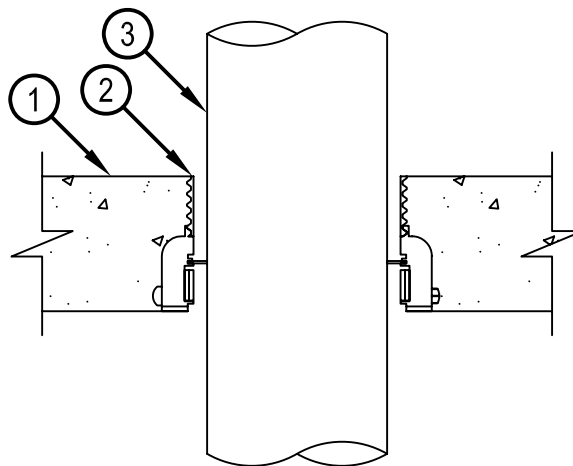
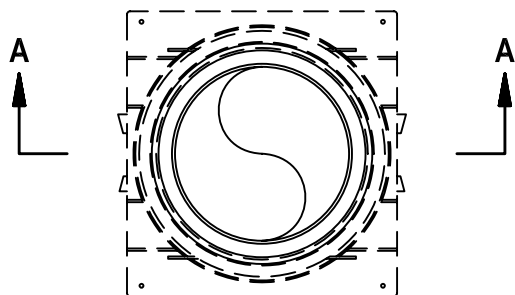


Classified by
Underwriters Laboratories, Inc.
to UL 1479 and CAN/ULC-S115

System No. F-A-7018

F Rating — 3 Hr
T Rating — 1/4 Hr

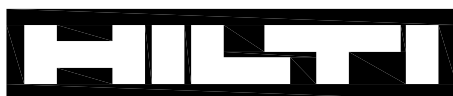
FA 7018



SECTION A-A

1. Floor Assembly — Min 4-1/2 in. (114 mm) thick reinforced lightweight or normal weight (100-150 pcf or 1600-2400 kg/m³).
- 1A. Steel Floor Unit/ Floor Assembly — (Not Shown)- As an alternate to Item 1, the floor assembly may consist of a fluted steel floor unit/ concrete floor assembly. The floor assembly shall be constructed of the materials and in the manner described in the individual D900 Series Design in the Fire Resistance Directory and shall include the following construction features:
 - A. Steel Floor and Form Units* — Composite or non-composite 1-1/2 in. to 3 in. (37 to 76 mm) deep fluted galv steel units as specified in the individual Floor-Ceiling Design.
 - B. Concrete — Min 4-1/2 in. (114 mm) thick reinforced lightweight or normal weight (100-150 pcf or 1600-2400 kg/m³) concrete, as measured from the top plane of the floor units.
2. Firestop Device* — Cast in place firestop device permanently embedded during concrete placement or grouted in concrete floor assembly in accordance with accompanying installation instructions. Device is to be trimmed flush with the top surface of the floor.
HILTI CONSTRUCTION CHEMICALS, DIV OF HILTI INC — CP 680-110/6"N, CP 680-P 6" Cast-In Firestop Device.
3. Steel Duct — Nom 6 in. (152 mm) diam (or smaller) No. 28 gauge (or heavier).
4. Fill, Void or Cavity Material* Putty (Not Shown) — When steel duct is less than nominal 6 in. (152 mm) diam, a min 1 in. (25 mm) thickness of fill material shall be applied within annulus, flush with top surface of device.
HILTI CONSTRUCTION CHEMICALS, DIV OF HILTI INC — CP 618 Firestop Putty Stick
- 4A. Packing Material (Not Shown) — As an alternate to Item 4, min 4 in. (102 mm) thickness of min 4 pcf (64 kg/m³) mineral wool insulation firmly packed to the fullest extent possible within annulus flush with top surface of device.

*Bearing the UL Classification Mark



Hilti Firestop Systems

Reproduced by HILTI, Inc. Courtesy of
Underwriters Laboratories, Inc.
December 14, 2006