



All loading and design criteria supplied by customer is assumed accurate. Only the stated Design Assumptions were considered, and must be verified by the responsible Engineer of Record (EOR). The basis of Hilti component and connection design is the published data in the current Hilti Technical Guide, including material and cross-section properties, allowable load values, factors of safety, methods of calculation, and limiting factors. The EOR must verify suitability for any specific application, and the capacity of the supportive structure to receive the shown configuration and associated reaction loads. Modification to components and/or design may alter performance and must be evaluated by the EOR.

TYPICAL DETAIL TYPE:

CABLE TRAY SUPPORT

TYPICAL DETAIL DESCRIPTION:

GOALPOST - DOUBLE

DESIGNED BY:

KL

REVIEWED BY:

AJV

DRAWN BY:

BAP

ISSUE DATE:

03 DEC 14

REVISIONS:

NO.	DESCRIPTION:	DATE:
A	ORIGINAL ISSUE	03 DEC 14
-		
-		
-		
-		
-		
-		
-		
-		
-		
-		
-		
-		
-		
-		

TYPICAL DETAIL NOMENCLATURE:

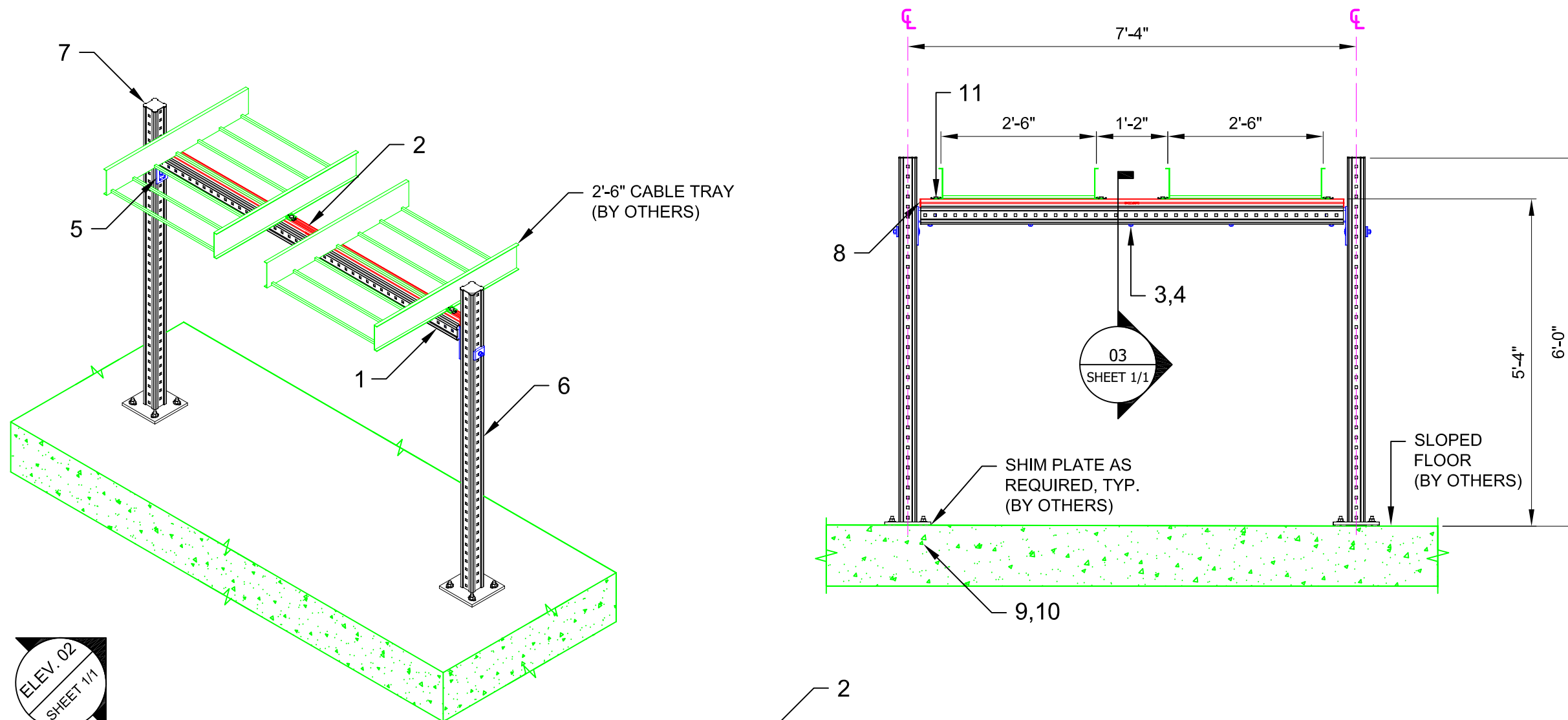
CT-GP01-C

DRAWING NUMBER:

01

SHEET:

1/1



ELEV. 02
SHEET 1/1

01 ISOMETRIC
N.T.S.

02 ELEVATION
N.T.S.

03 SECTION
N.T.S.

No.	Unit Qty	Unit	Description	Box Qty	# Boxes Needed	Item No.
1	1	EA	GIRDER MI-90 3M	1	1	304798
2	1	EA	STRUT HS-158-12/PG 10'	1	1	407555
3	3	EA	ONEHAND SCREW MIA-OH90	10	1	304889
4	3	EA	MI HEX NUT M12-F-SL-WS 3/4"	100	1	382897
5	2	EA	CONNECTOR MIC-90-U	4	1	304803
6	2	EA	CONNECTOR MIC-C90-D-2000 WELDED BRACKET	1	2	267793
7	2	EA	GIRDER END CAP MIA-EC90	25	1	432077
8	4	EA	CHANNEL END CAP MEK RED	50	1	244886
9	8	EA	HAS 5.8 5/8" X 8"	20	1	385428
10	1	EA	HILTI HIT-HY 200	1	1	2022793
11	4	EA	LEGRAND'S 1893-0 CLAMP	-	-	BY OTHERS

NOTE(S):

- PRELIMINARY NOT FOR CONSTRUCTION
- DESIGN ASSUMPTIONS:
 - DESIGN LOADS (STATIC, U.N.O.)
DL: 187.5 lbs/ft WIDTH OF CABLE TRAY
 - LATERAL LOADS NOT CONSIDERED
 - BUILDING CODE: NOT SPECIFIED
 - CORROSION RESISTANCE REQD.: NOT SPECIFIED
 - MAX. SUPPORT SPACING = 5'-0"
- REFER TO COMPONENT MANUFACTURER'S IFUs FOR REQUIRED INSTALLATION INFO.
- E.O.R. MUST BE NOTIFIED OF ANY DEVIATIONS FROM EXISTING/ NEW SUBSTRATE CONDITIONS SHOWN HEREIN TO VALIDATE ACCEPTANCE OF THIS HILTI DESIGN PRIOR TO INSTALLATION.