



All loading and design criteria supplied by customer is assumed accurate. Only the stated Design Assumptions were considered, and must be verified by the responsible Engineer of Record (EOR). The basis of Hilti component and connection design is the published data in the current Hilti Technical Guide, including material and cross-section properties, allowable load values, factors of safety, methods of calculation, and limiting factors. The EOR must verify suitability for any specific application, and the capacity of the supportive structure to receive the shown configuration and associated reaction loads. Modification to components and/or design may alter performance and must be evaluated by the EOR.

TYPICAL DETAIL TYPE:  
**PIPE SUPPORT**

TYPICAL DETAIL DESCRIPTION:  
**BRACED CANTILEVER**

DESIGNED BY: KL  
REVIEWED BY: AJV

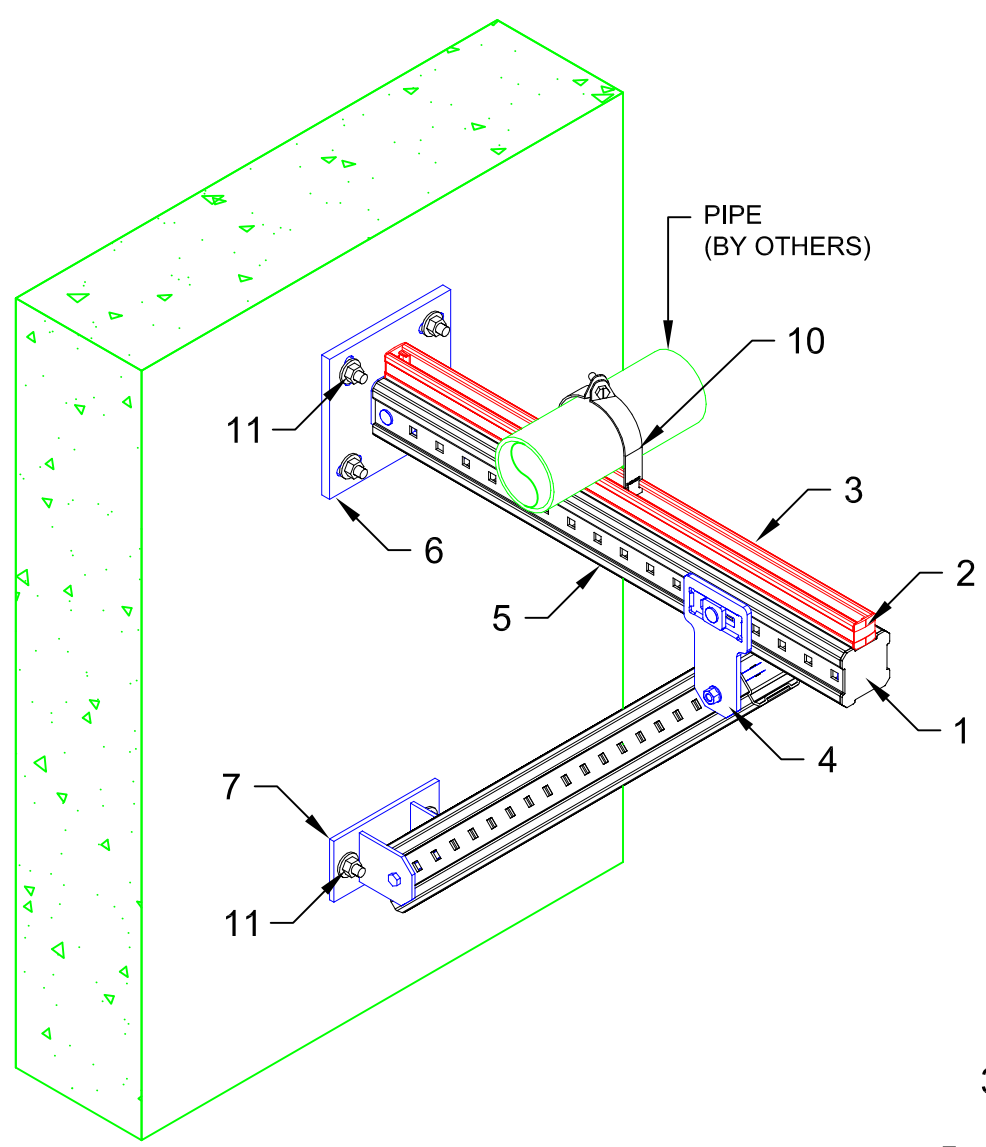
DRAWN BY: HAM  
ISSUE DATE: 09 DEC 14

REVISIONS:

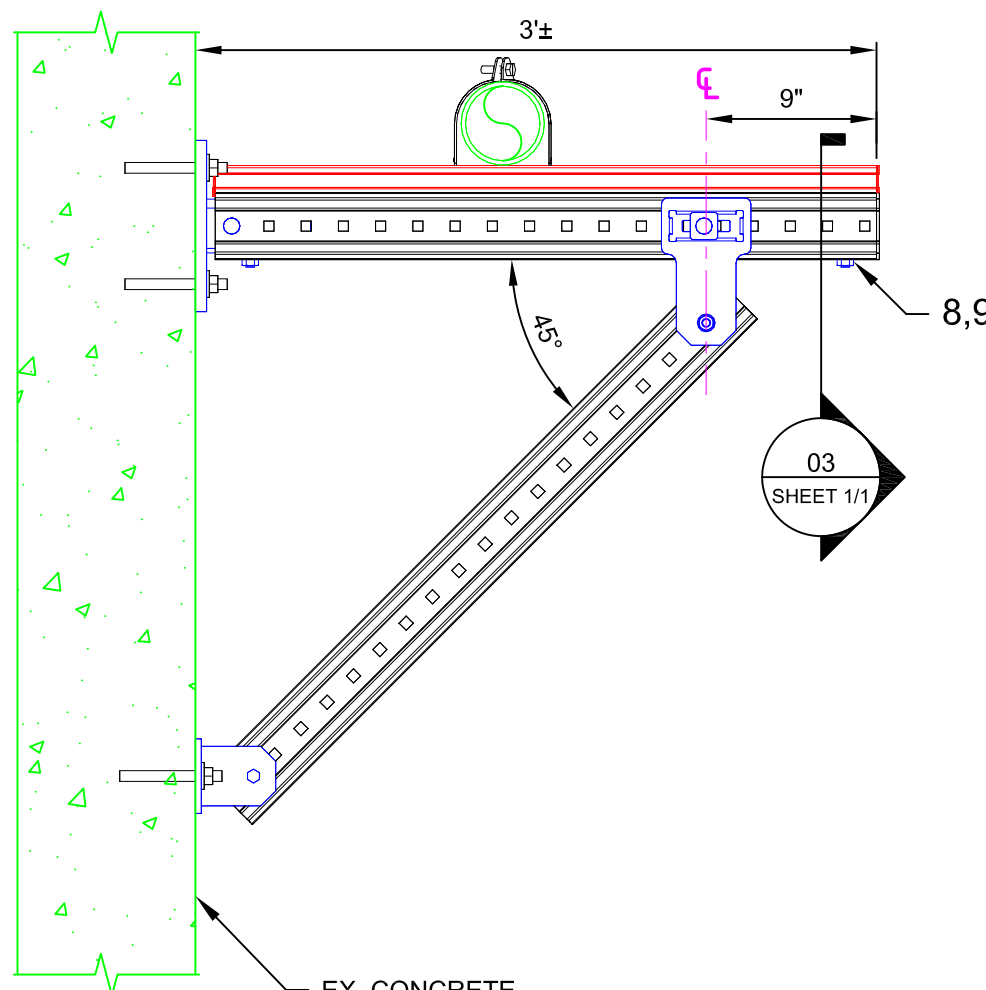
NO.	DESCRIPTION:	DATE:
A	ORIGINAL ISSUE	09 DEC 14

TYPICAL DETAIL NOMENCLATURE:  
**P-BC04-C**

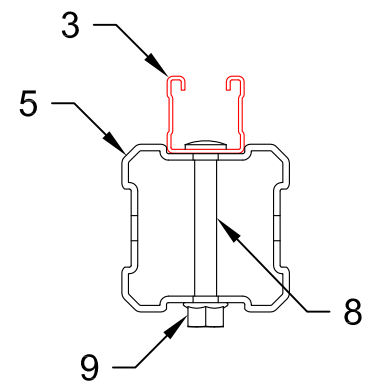
DRAWING NUMBER: 01  
SHEET: 1/1



01 ISOMETRIC  
N.T.S.



02 ELEVATION  
N.T.S.



03 SECTION  
N.T.S.

No.	Unit Qty	Unit	Description	Box Qty	# Boxes Needed	Item No.
1	1	EA	GIRDER END CAP MIA-EC90	25	1	432077
2	4	EA	CHANNEL END CAP MEK RED	50	1	244886
3	AS REQ'D	EA	STRUT HS-158-12/PG 10'	1	AS REQ'D	407555
4	1	PR	CONNECTOR MIC-U-MA	2	1	304806
5	AS REQ'D	EA	GIRDER MI-90 3M	1	AS REQ'D	304798
6	1	EA	CONNECTOR MIC-C90-D CONCRETE	2	1	304827
7	1	EA	CONNECTOR MIC-CU-MA CONCRETE	4	1	304828
8	1	EA	ONEHAND SCREW MIA-OH90	10	1	304889
9	1	EA	MI HEX NUT M12-F-SL-WS 3/4"	100	1	382897
10	AS REQ'D	EA	STRUT CLAMP	VARIES	VARIES	VARIES
11	6	EA	USE KB3 OR KB-TZ AS APPROPRIATE	VARIES	VARIES	VARIES

**NOTE(S):**

- PRELIMINARY NOT FOR CONSTRUCTION
- DESIGN ASSUMPTIONS:
  - NO LOADS CONSIDERED - CONCEPT ONLY
  - LATERAL LOADS NOT CONSIDERED
  - BUILDING CODE: NOT SPECIFIED
  - CORROSION RESISTANCE REQ'D.: NOT SPECIFIED
- ALL LOADS ASSUMED TO ACT AT CENTER OF PIPE(S), U.N.O.
- REFER TO COMPONENT MANUFACTURER'S IFUs FOR REQUIRED INSTALLATION INFO.
- E.O.R. MUST BE NOTIFIED OF ANY DEVIATIONS FROM EXISTING/ NEW SUBSTRATE CONDITIONS SHOWN HEREIN TO VALIDATE ACCEPTANCE OF THIS HILTI DESIGN PRIOR TO INSTALLATION.

ELEV. 02  
SHEET 1/1