



All loading and design criteria supplied by customer is assumed accurate. Only the stated Design Assumptions were considered, and must be verified by the responsible Engineer of Record (EOR). The basis of Hilti component and connection design is the published data in the current Hilti Technical Guide, including material and cross-section properties, allowable load values, factors of safety, methods of calculation, and limiting factors. The EOR must verify suitability for any specific application, and the capacity of the supportive structure to receive the shown configuration and associated reaction loads. Modification to components and/or design may alter performance and must be evaluated by the EOR.

PROJECT NAME:
PIPE SUPPORT

SERVICE REQUEST DESCRIPTION:
GOALPOST - MULTI

DESIGNED BY: KL	REVIEWED BY: AJV
--------------------	---------------------

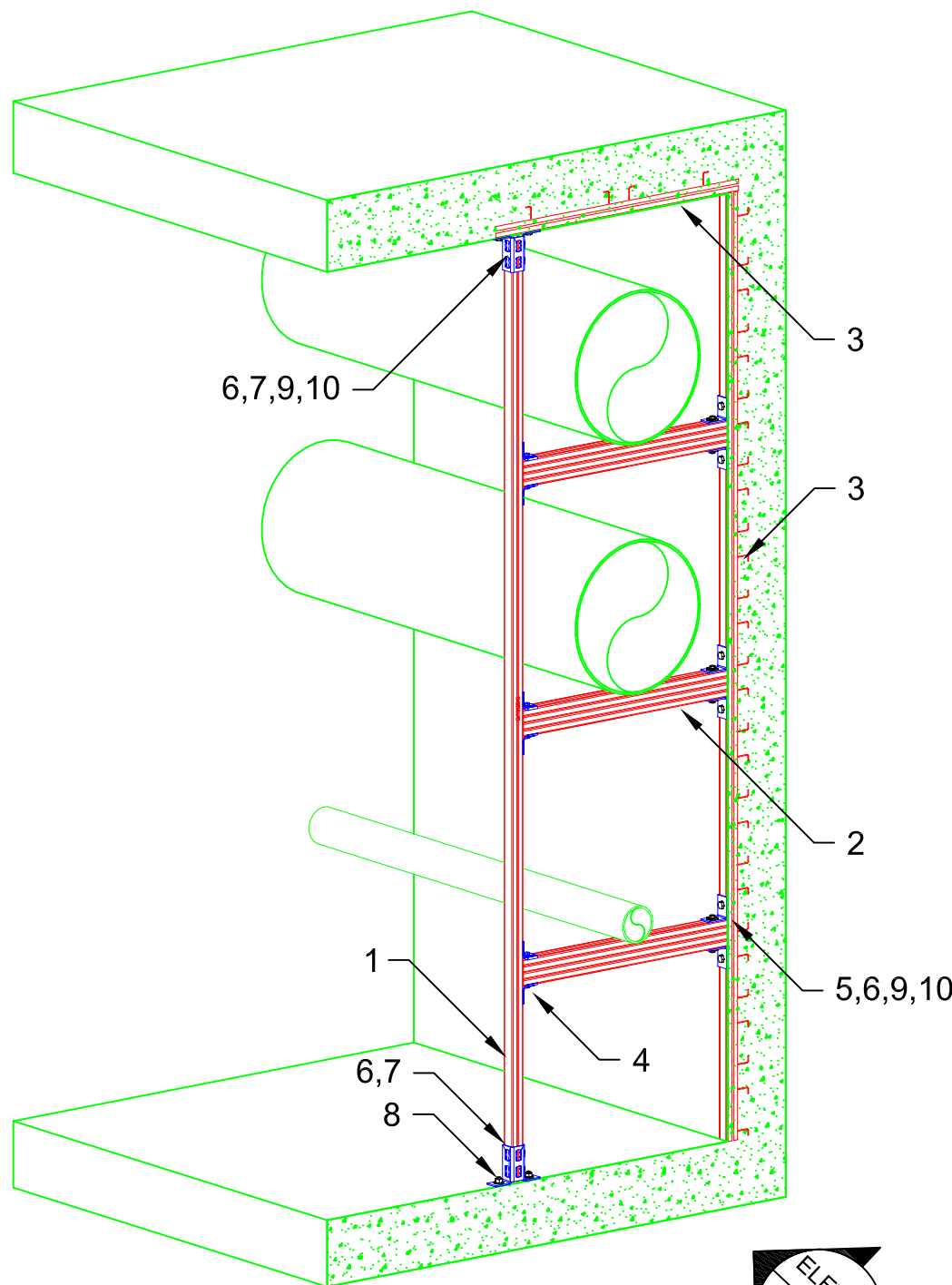
DRAWN BY: HAM	ISSUE DATE: 09 DEC 14
------------------	--------------------------

REVISIONS:

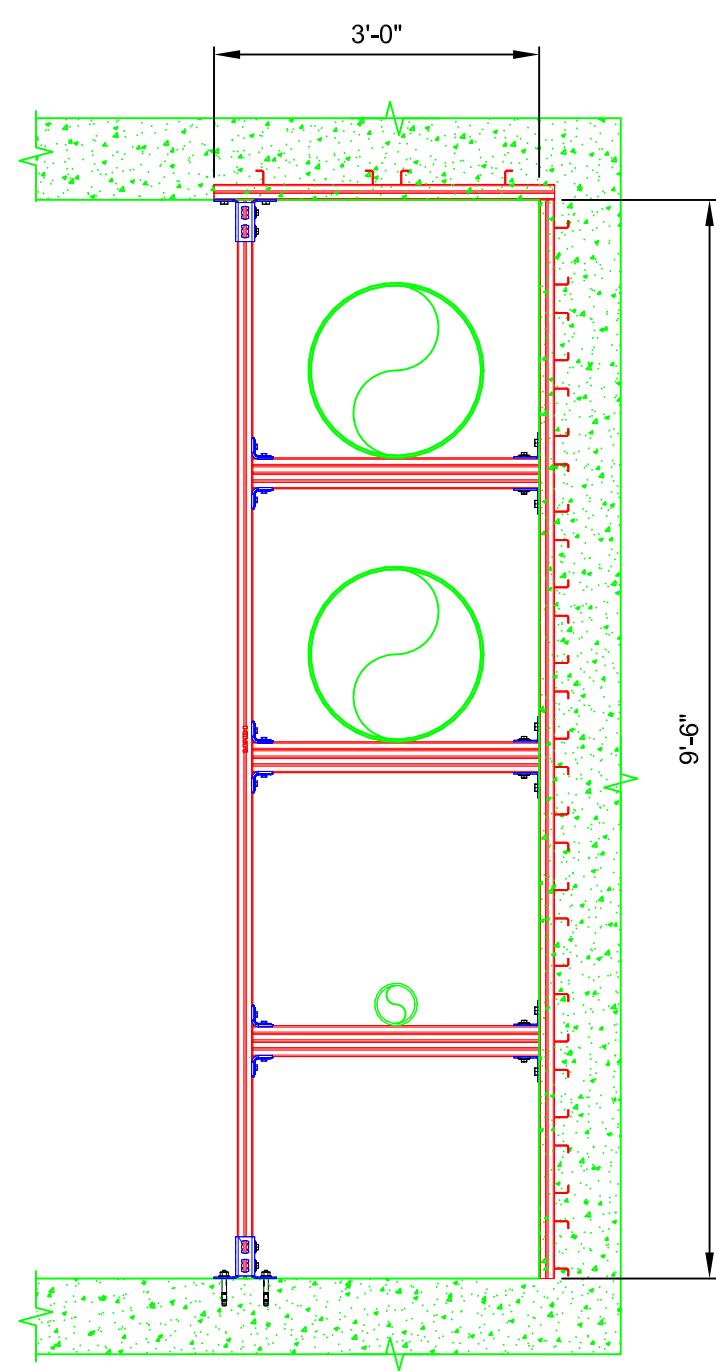
NO.	DESCRIPTION:	DATE:
A	ORIGINAL ISSUE	09 DEC 14

SERVICE REQUEST NUMBER:
P-GP56-C

DRAWING NUMBER: 01	SHEET: 1/1
------------------------------	----------------------



01 ISOMETRIC
N.T.S.



02 ELEVATION
N.T.S.



No.	Unit Qty	Unit	Description	Box Qty	# Boxes Needed	Item No.
1	AS REQ'D	EA	STRUT HS-158-12/PGS 10' SOLID	1	AS REQ'D	407561
2	AS REQ'D	EA	STRUT HS-158-12/PG 10' B2B	1	AS REQ'D	2007082
3	AS REQ'D	EA	CAST IN STRUT 1 5/8 12ga	VARIES	AS REQ'D	3448648
4	6	EA	2-HOLE ANGLE MQW-Q2	20	1	369655
5	6	EA	BASE MQP-1/1	20	1	369646
6	10	EA	CHANNEL CONNECTOR MQN	50	1	369623
7	2	EA	BASE MQV-2/2 D-14	10	1	369639
8	2	EA	STUD ANCHOR KB-TZ 1/2X3 3/4	20	1	387512
9	8	EA	HEX HEAD BOLT 1/2-1 1/4 ZINC 50/BOX	50	1	411767
10	8	EA	1/2" CHANNEL NUT/NO SPRING 100/BOX	100	1	311938

NOTE(S):

- PRELIMINARY NOT FOR CONSTRUCTION
- DESIGN ASSUMPTIONS:
 - NO LOADS CONSIDERED - CONCEPT ONLY
 - LATERAL LOADS NOT CONSIDERED
 - BUILDING CODE: NOT SPECIFIED
 - CORROSION RESISTANCE REQD.: NOT SPECIFIED
- ALL LOADS ASSUMED TO ACT AT CENTER OF PIPE(S), U.N.O.
- REFER TO COMPONENT MANUFACTURER'S IFUs FOR REQUIRED INSTALLATION INFO.
- E.O.R. MUST BE NOTIFIED OF ANY DEVIATIONS FROM EXISTING/ NEW SUBSTRATE CONDITIONS SHOWN HEREIN TO VALIDATE ACCEPTANCE OF THIS HILTI DESIGN PRIOR TO INSTALLATION.