



All loading and design criteria supplied by customer is assumed accurate. Only the stated Design Assumptions were considered, and must be verified by the responsible Engineer of Record (EOR). The basis of Hilti component and connection design is the published data in the current Hilti Technical Guide, including material and cross-section properties, allowable load values, factors of safety, methods of calculation, and limiting factors. The EOR must verify suitability for any specific application, and the capacity of the supportive structure to receive the shown configuration and associated reaction loads. Modification to components and/or design may alter performance and must be evaluated by the EOR.

PROJECT NAME:
PLATFORM

SERVICE REQUEST DESCRIPTION:
BRACED CANTILEVER

DESIGNED BY: **VAM** REVIEWED BY: **MES**

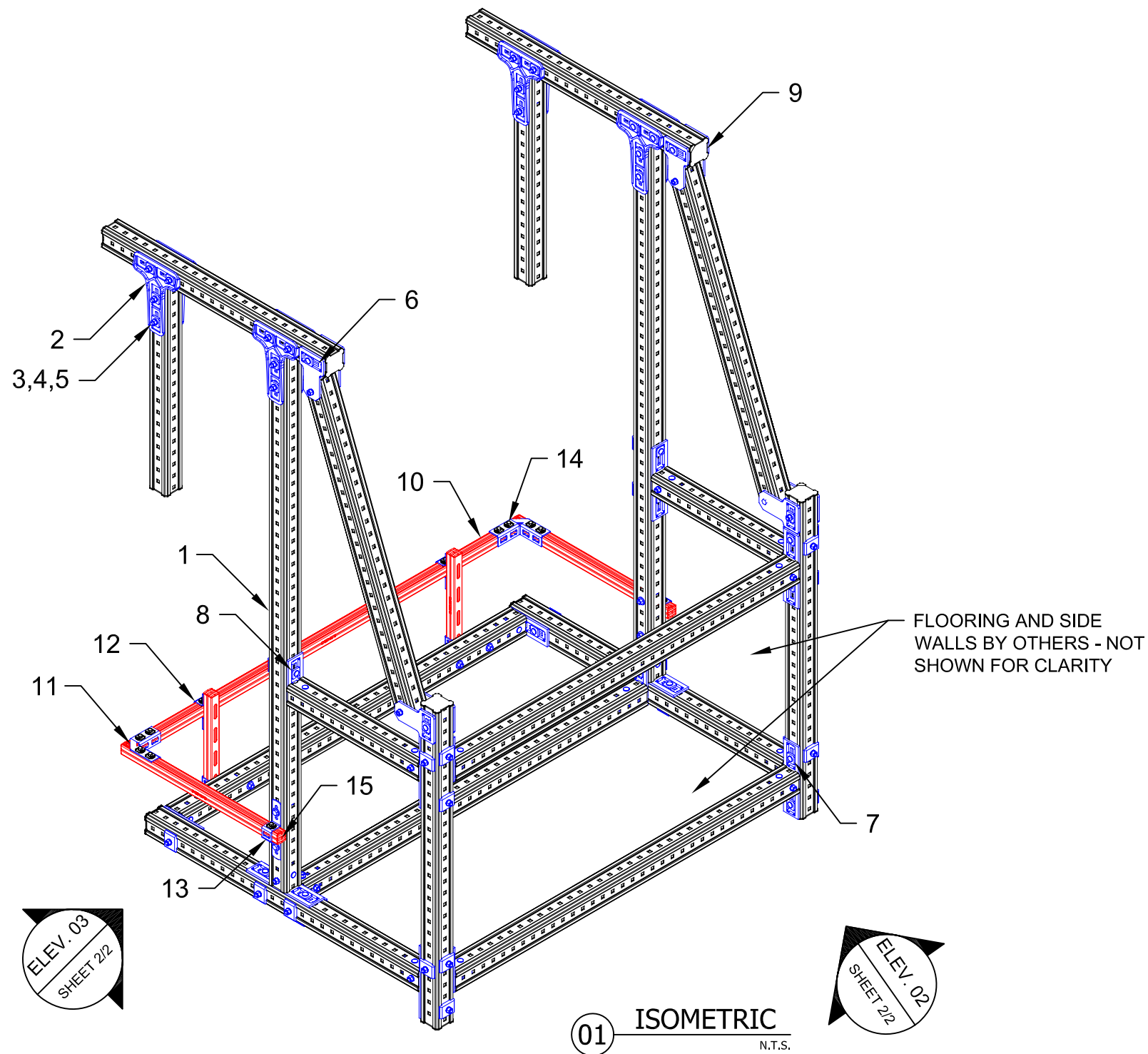
DRAWN BY: **BAP** ISSUE DATE: **25 FEB 15**

REVISIONS:

NO:	DESCRIPTION:	DATE:
A	ORIGINAL ISSUE	25 FEB 15

SERVICE REQUEST NUMBER:
PL - BC01 - N/A

DRAWING NUMBER: **01** SHEET: **1/2**



No.	Unit Qty	Unit	Description	Box Qty	# Boxes Needed	Item No.
1	AS REQ'D	EA	GIRDER MI-90 3M	1	AS REQ'D	304798
2	8	PR	CONNECTOR MIC-90-LH	3	3	2048107
3	16	EA	TOOTHED PLATE MIA-TP	20	1	305707
4	16	EA	MI HEX NUT M12-F-SL-WS 3/4"	100	1	382897
5	16	EA	EASYHAND SCREW MIA-EH90	10	2	304887
6	4	PR	CONNECTOR MIC-U-MA	2	2	304806
7	8	EA	CONNECTOR MIC-90-L	2	4	304805
8	8	EA	CONNECTOR MIC-90-U	4	2	304803
9	10	EA	GIRDER END CAP MIA-EC90	25	1	432077
10	AS REQ'D	EA	STRUT HS-158-12/PG 10'	1	AS REQ'D	407555
11	2	EA	8-HOLE ANGLE MQW-8/90	10	1	369659
12	2	EA	CLAMP MQB-41	10	1	369668
13	4	EA	CONNECTOR MIC-MI/MQ-X	16	1	304881
14	18	EA	CHANNEL CONNECTOR MQN	50	1	369623
15	16	EA	CHANNEL END CAP MEK RED	50	1	244886

NOTE(S):

1. PRELIMINARY, NOT FOR CONSTRUCTION
2. DESIGN ASSUMPTIONS:
 - a. NO LOADS CONSIDERED - CONCEPT ONLY
 - b. LATERAL LOADS NOT CONSIDERED
 - c. BUILDING CODE: NOT SPECIFIED
 - d. CORROSION RESISTANCE REQ'D.: NOT SPECIFIED
2. REFER TO COMPONENT MANUFACTURER'S IFUs FOR REQUIRED INSTALLATION INFO.
3. E.O.R. MUST BE NOTIFIED OF ANY DEVIATIONS FROM EXISTING/NEW SUBSTRATE CONDITIONS SHOWN HEREIN TO VALIDATE ACCEPTANCE OF THIS HILTI DESIGN PRIOR TO INSTALLATION.



All loading and design criteria supplied by customer is assumed accurate. Only the stated Design Assumptions were considered, and must be verified by the responsible Engineer of Record (EOR). The basis of Hilti component and connection design is the published data in the current Hilti Technical Guide, including material and cross-section properties, allowable load values, factors of safety, methods of calculation, and limiting factors. The EOR must verify suitability for any specific application, and the capacity of the supportive structure to receive the shown configuration and associated reaction loads. Modification to components and/or design may alter performance and must be evaluated by the EOR.

PROJECT NAME:
PLATFORM

SERVICE REQUEST DESCRIPTION:
BRACED CANTILEVER

DESIGNED BY: VAM	REVIEWED BY: MES
---------------------	---------------------

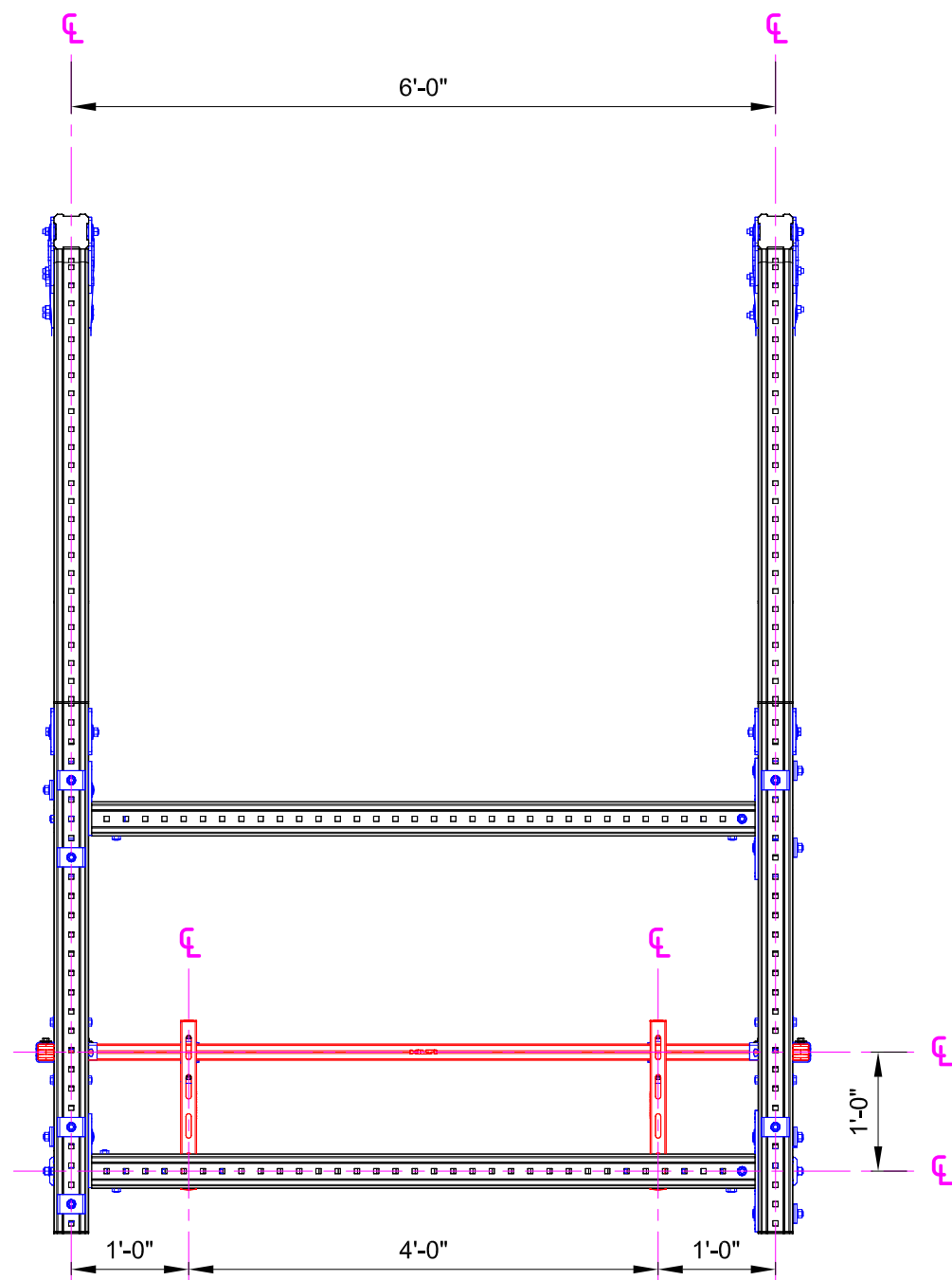
DRAWN BY: BAP	ISSUE DATE: 25 FEB 15
------------------	--------------------------

REVISIONS:

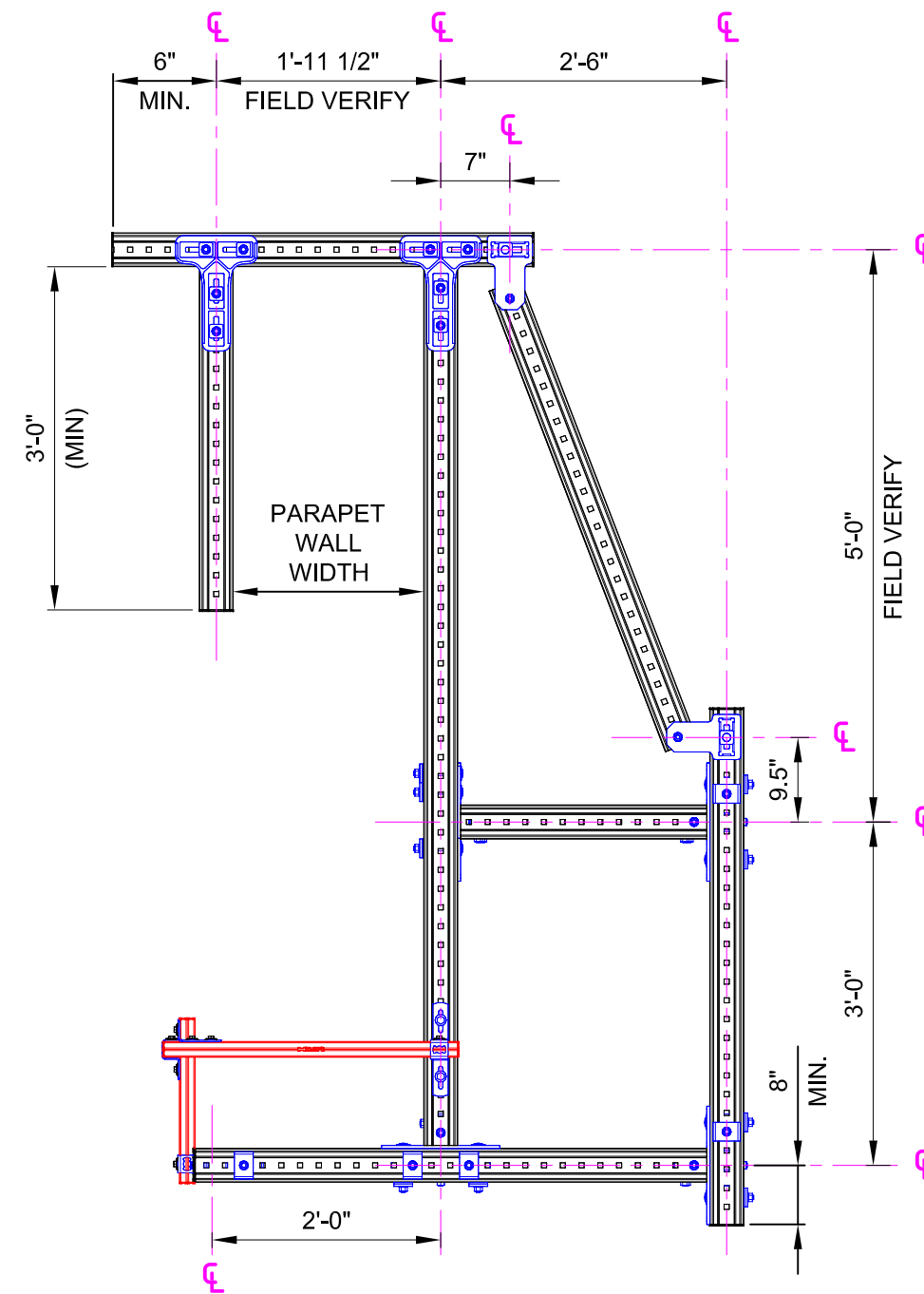
NO.	DESCRIPTION:	DATE:
A	ORIGINAL ISSUE	25 FEB 15

SERVICE REQUEST NUMBER:
PL - BC01 - N/A

DRAWING NUMBER: 01	SHEET: 2/2
------------------------------	----------------------



02 ELEVATION
N.T.S.



03 ELEVATION
N.T.S.

NOTE(S):
1. REFER TO SHEET 1 FOR APPLICABLE NOTE(S).