



All loading and design criteria supplied by customer is assumed accurate. Only the stated Design Assumptions were considered, and must be verified by the responsible Engineer of Record (EOR). The basis of Hilti component and connection design is the published data in the current Hilti Technical Guide, including material and cross-section properties, allowable load values, factors of safety, methods of calculation, and limiting factors. The EOR must verify suitability for any specific application, and the capacity of the supportive structure to receive the shown configuration and associated reaction loads. Modification to components and/or design may alter performance and must be evaluated by the EOR.

PROJECT NAME:

**INTEGRATED FLOOR SYSTEM**

SERVICE REQUEST DESCRIPTION:

**COMMERCIAL**

DESIGNED BY:

AJV

REVIEWED BY:

INITIALS

DRAWN BY:

HAM

ISSUE DATE:

26 FEB 15

REVISIONS:

NO.	DESCRIPTION:	DATE:
A	ORIGINAL ISSUE	26 FEB 15

SERVICE REQUEST NUMBER:

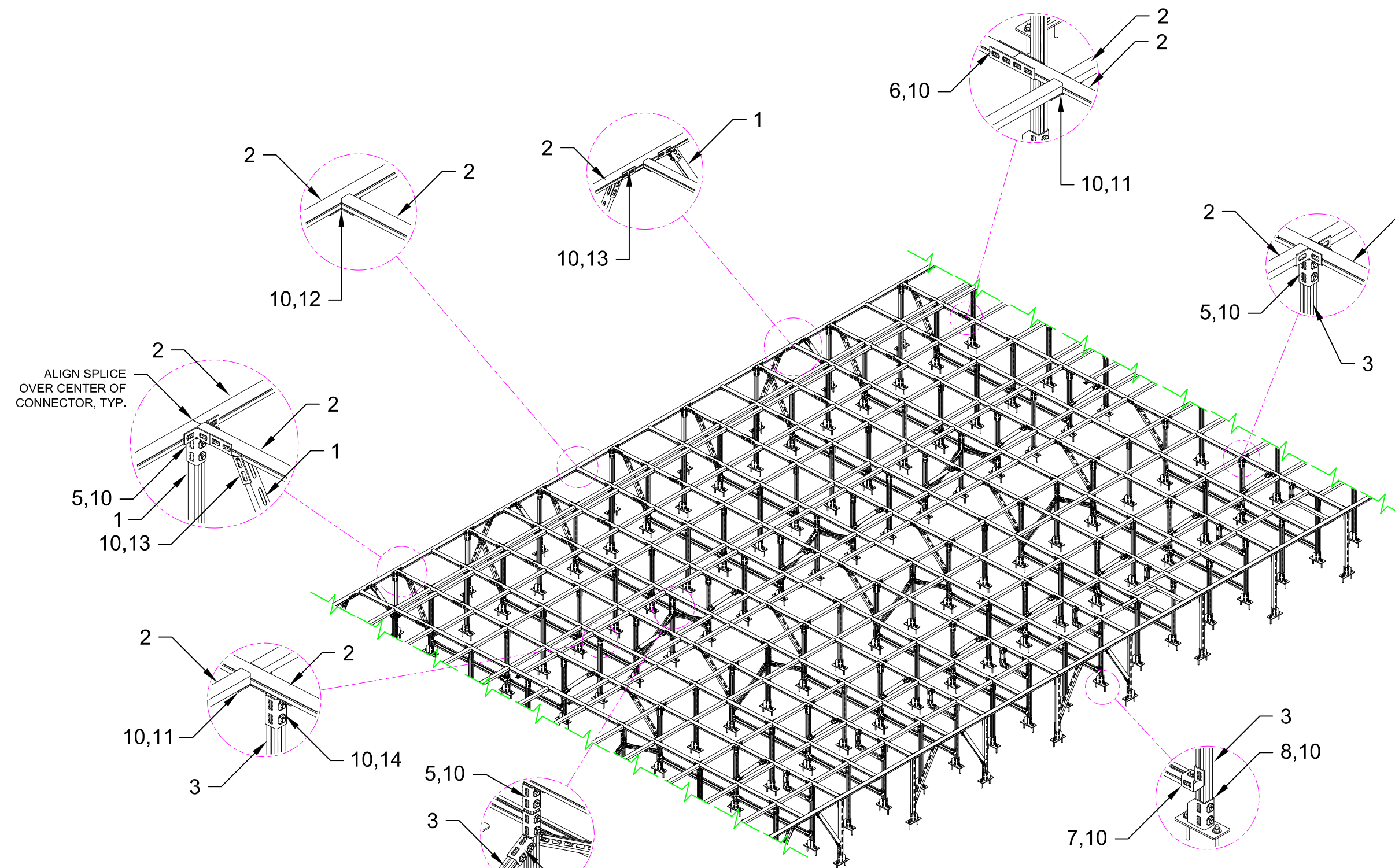
**IFS - FT51 - C**

DRAWING NUMBER:

01

SHEET:

1/1



**01 ISOMETRIC - FLOOR TILE SUPPORT**  
N.T.S.

No.	Unit Qty	Unit	Description	Box Qty	# Boxes Needed	Item No.
1	AS REQ'D	EA	STRUT HS-158-12/PG 20'	1	AS REQ'D	407557
2	AS REQ'D	EA	STRUT HS-158-12/PGS 20' SOLID	1	AS REQ'D	407562
3	AS REQ'D	EA	STRUT HS-1316-12/PG 10' B2B	1	AS REQ'D	2007081
4	AS REQ'D	EA	CHANNEL TIE MQV-3/3 D	10	AS REQ'D	369641
5	AS REQ'D	EA	CHANNEL TIE MQV-4/3 D	10	AS REQ'D	369642
6	AS REQ'D	EA	CHANNEL TIE MQV-12	10	AS REQ'D	369643
7	AS REQ'D	EA	4-HOLE ANGLE MQW-4	10	AS REQ'D	369658
8	AS REQ'D	EA	RAIL SUPPORT MQP-21-72	12	AS REQ'D	369651
9	INTENTIONALLY NOT USED					
10	AS REQ'D	EA	CHANNEL CONNECTOR MQN	50	AS REQ'D	369623
11	AS REQ'D	EA	CHANNEL TIE MQV-P3	10	AS REQ'D	370629
12	AS REQ'D	EA	CHANNEL TIE MQV-T	10	AS REQ'D	369645
13	AS REQ'D	EA	8-HOLE ANGLE MQW-8/45	10	AS REQ'D	369660
14	AS REQ'D	EA	CHANNEL TIE MQV-2/2 D	10	AS REQ'D	369638
15	AS REQ'D	EA	CHANNEL TIE MV 3/2 D-X	10	AS REQ'D	339590
16	AS REQ'D	EA	ANGLE BRACKET MQW-S/1	10	AS REQ'D	369664
17	AS REQ'D	EA	STRUT HS-158-12/PG 10' B2B	1	AS REQ'D	2007082
18	AS REQ'D	EA	MF-41DX 4 HOLE STRUT BASE	1	AS REQ'D	3007533

**NOTE(S):**  
 1. PRELIMINARY, NOT FOR CONSTRUCTION  
 2. DESIGN ASSUMPTIONS:  
 a. NO LOADS CONSIDERED - CONCEPT ONLY  
 b. LATERAL LOADS NOT CONSIDERED  
 c. BUILDING CODE: NOT SPECIFIED  
 d. CORROSION RESISTANCE REQD.: NOT SPECIFIED  
 3. REFER TO COMPONENT MANUFACTURER'S IFUs FOR REQUIRED INSTALLATION INFO.  
 4. E.O.R. MUST BE NOTIFIED OF ANY DEVIATIONS FROM EXISTING/ NEW SUBSTRATE CONDITIONS SHOWN HEREIN TO VALIDATE ACCEPTANCE OF THIS HILTI DESIGN PRIOR TO INSTALLATION.