

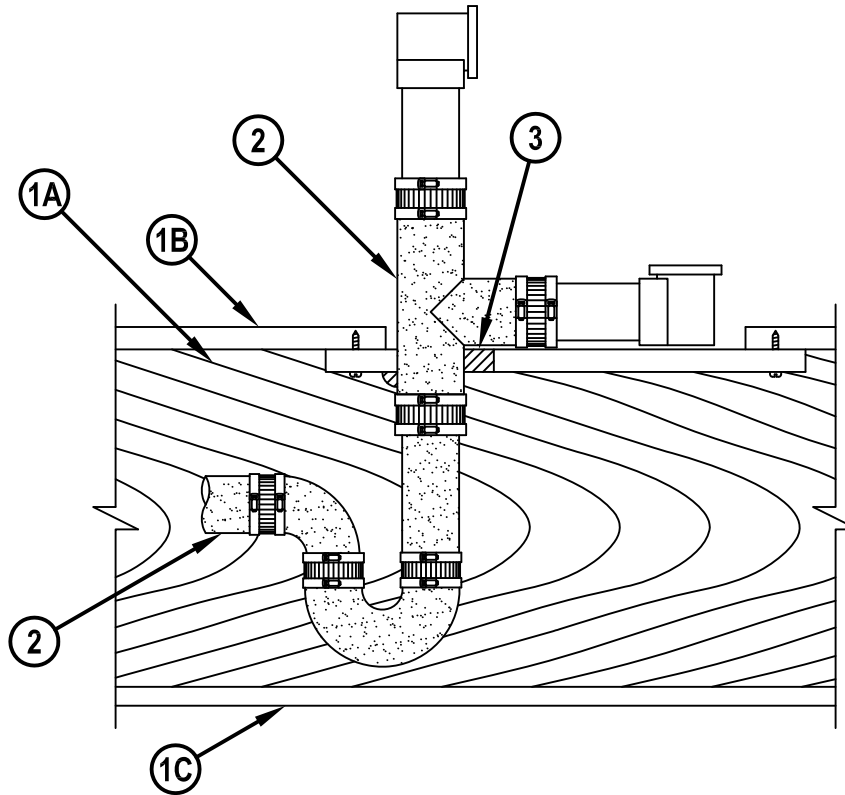


Classified by  
Underwriters Laboratories, Inc.  
to UL 1479 and CAN/ULC-S115

## System No. F-C-1135

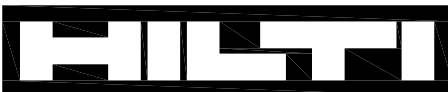
FC1135

ANSI/UL1479 (ASTM E814)	CAN/ULC S115
F Rating — 1 Hr	F Rating — 1 Hr
T Rating — 0 Hr	FT Rating — 0 Hr
	FH Rating — 1 Hr
	FTH Rating — 0 Hr



1. Floor-Ceiling Assembly — The 1 hr fire-rated solid or trussed lumber joist floor-ceiling assembly shall be constructed of the materials and in the manner specified in the individual L500 Series Floor-Ceiling Designs in the UL Fire Resistance Directory. The general construction features of the floor-ceiling assembly are summarized below:

- A. Flooring System — Lumber or plywood subfloor with finish floor of lumber, plywood or Floor Topping Mixture\* as specified in the individual Floor-Ceiling Design. Rectangular cutout in flooring to accommodate the bathtub drain piping (Item 2) to be max 8 by 12 in. (203 by 305 mm). Cutout to be patched on underside of subfloor using one layer of min 3/4 in. (19 mm) thick plywood or min 5/8 in. (16 mm) thick gypsum board (Item 1C) sized to lap min 2 in. (51 mm) beyond each edge of rectangular cutout. Patch split into two pieces at opening and hole-sawed for bathtub drain piping. Diam of opening hole sawed through patch to accommodate drain piping (Item 2) to be 1 in. (25 mm) larger than outside diam of drain piping and positioned such that the annular space between drain piping and periphery of opening is min 0 in. (point contact) to max 1 in. (25 mm). Two pieces positioned around drain piping, with cut edges tightly butted, and screw-attached to underside of subfloor with 1-1/4 in (32 mm) long steel screws spaced max 6 in. (152 mm) OC.
- B. Wood Joists\* — Nom 10 in. (254 mm) deep (or deeper) lumber, steel or combination lumber and steel joists, trusses or Structural Wood Members\* with bridging as required and with ends firestopped.
- C. Gypsum Board\* — Nom 5/8 in. (16 mm) thick, 4 ft (1.22 m) wide as specified in the individual Floor-Ceiling Design.



**Hilti Firestop Systems**

Reproduced by HILTI, Inc. Courtesy of  
Underwriters Laboratories, Inc.  
January 15, 2015



## System No. F-C-1135

FC1135

Classified by  
Underwriters Laboratories, Inc.  
to UL 1479 and CAN/ULC-S115

2. Drain Piping — Max 1-1/2 in. (38 mm) diam cast iron pipe, P-trap, drain and tee connected together by means of stainless steel "No-Hub" connectors and provided with an acrylonitrile butadiene styrene (ABS), polyvinyl chloride (PVC) or brass bathtub waste/overflow fitting. Drain piping system to be reliably supported above ceiling. The annular space between drain piping and periphery of opening shall be min 0 in. (0 mm, point contact) to max 1 in. (25 mm).
3. Fill, Void or Cavity Materials\* — Min 5/8 in. (16 mm) thickness of fill material applied within the annulus, flush with both surfaces of plywood or gypsum board patch. A min 1/2 in. (13 mm) diameter bead of sealant applied at the pipe/plywood or pipe/gypsum board interface at point contact location on the bottom side of patch.

HILTI CONSTRUCTION CHEMICALS, DIV OF HILTI INC — CP 606 Flexible Firestop Sealant, FS-ONE Sealant or FS-ONE MAX Intumescent Sealant.

\* Indicates such products shall bear the UL or cUL Certification Mark for jurisdictions employing the UL or cUL Certification (such as Canada), respectively.



**Hilti Firestop Systems**

Reproduced by HILTI, Inc. Courtesy of  
Underwriters Laboratories, Inc.  
January 15, 2015

Page: 2 of 2