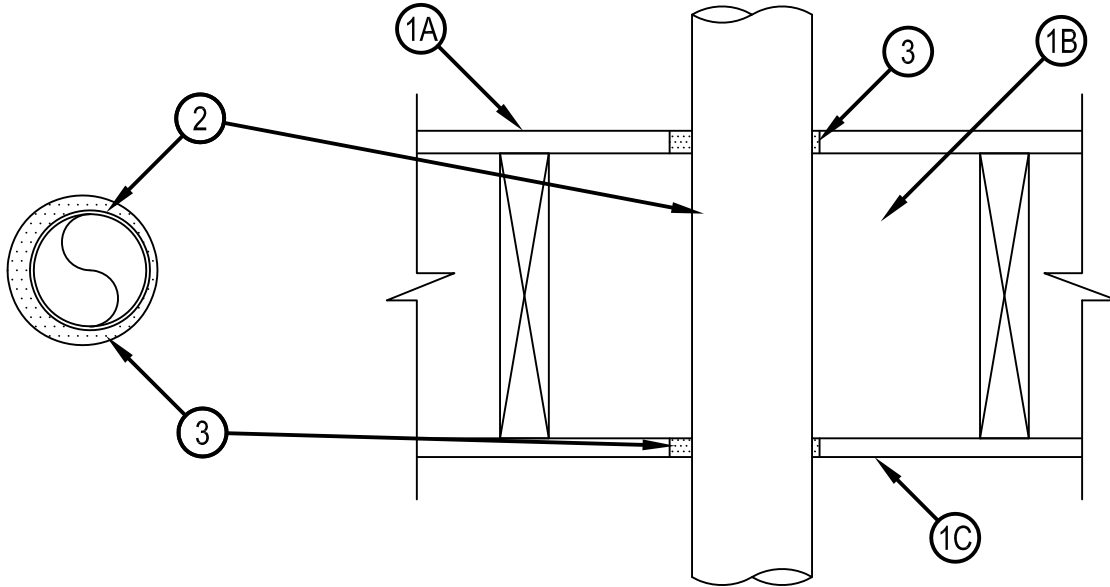


System No. F-C-7013

CLASSIFIED

 C US
 Classified by
 Underwriters Laboratories, Inc.
 to UL 1479 and CAN/ULC-S115

ANSI/UL1479 (ASTM E814)	CAN/ULC S115
F Rating — 1 Hr	F Rating — 1 Hr
T Rating — 0 Hr	FT Rating — 0 Hr
	FH Rating — 1 Hr
	FTH Rating — 0 Hr



SECTION A-A

1. Floor-Ceiling Assembly — The 1 hr fire-rated solid or trussed lumber joist floor-ceiling assembly shall be constructed of the materials and in the manner specified in the individual L500 Series Floor-Ceiling Designs in the UL Fire Resistance Directory. The general construction features of the floor-ceiling assembly are summarized below:
 - A. Flooring System — Lumber or plywood subfloor with finish floor of lumber, plywood or Floor Topping Mixture* as specified in the individual Floor-Ceiling Design. Max diam of opening shall be 5-1/4 in. (133 mm).
 - B. Wood Joist* — Nom 10 in. (254 mm) deep (or deeper) lumber, steel or combination lumber and steel joists, trusses or Structural Wood Members* with bridging as required and with ends firestopped.
 - C. Gypsum Board* — Nom 4 ft (1.2 m) wide by 5/8 in. (16 mm) thick as specified in the individual Floor-Ceiling Design. Max diam of opening shall be 5-1/4 in. (133 mm).
- 1.1 Chase Wall — (Not shown, Optional) The through penetrants (Item 2) may be routed through a 1 hr fire-rated single, double or staggered wood stud/gypsum wallboard chase wall having a fire rating consistent with that of the floor-ceiling assembly. The chase wall shall be constructed of the materials and in the manner specified in the individual U300 Series Wall and Partition Designs in the UL Fire Resistance Directory and shall include the following construction features:
 - A. Studs — Nom 2 by 6 in. (51 by 152 mm) lumber or double nom 2 by 4 in. (51 by 102 mm) lumber studs.
 - B. Sole Plate — Nom 2 by 6 in. (51 by 152 mm) lumber or parallel 2 by 4 in. (51 by 102 mm) lumber plates, tightly butted. Max diam of opening shall be 5-1/4 in.
 - C. Top Plate — The double top plate shall consist of two nom 2 by 6 in. (51 by 152 mm) lumber plates or two sets of nom 2 by 4 in. (51 by 102 mm) lumber plates tightly butted. Max diam of opening is 5-1/4 in. (133 mm).
 - D. Gypsum Board* — Thickness, type, number of layers and fasteners shall be as specified in individual Wall and Partition Design.



Hilti Firestop Systems

Reproduced by HILTI, Inc. Courtesy of
 Underwriters Laboratories, Inc.
 January 20, 2015

System No. F-C-7013

FC 7013

2. Steel Duct — Nom 4 in. (102 mm) diam (or smaller) No. 28 gauge (or heavier) steel duct to be installed either concentrically or eccentrically within the firestop system. The annular space between duct and periphery of opening shall be min of 1/4 in. (6 mm) to max 3/4 in. (19 mm). Steel duct to be rigidly supported on both sides of floor-ceiling assembly.

3. Fill, Void or Cavity Materials*-Sealant — Min 3/4 in. (19 mm) thickness of sealant applied within the annular space, flush with top surface of floor or sole plate. Min 5/8 in. (16 mm) thickness of sealant applied within annular space, flush with bottom surface of gypsum board or lower top plate. HILTI CONSTRUCTION CHEMICALS, DIV OF HILTI INC — FS-ONE Sealant or FS-ONE MAX Intumescent Sealant

* Indicates such products shall bear the UL or cUL Certification Mark for jurisdictions employing the UL or cUL Certification (such as Canada), respectively.



Hilti Firestop Systems

Reproduced by HILTI, Inc. Courtesy of
Underwriters Laboratories, Inc.
January 20, 2015

Page: 2 of 2