

UL SYSTEM NO. C-AJ-2712

PLASTIC PIPE THROUGH CONCRETE FLOOR/WALL OR BLOCK WALL ASSEMBLY

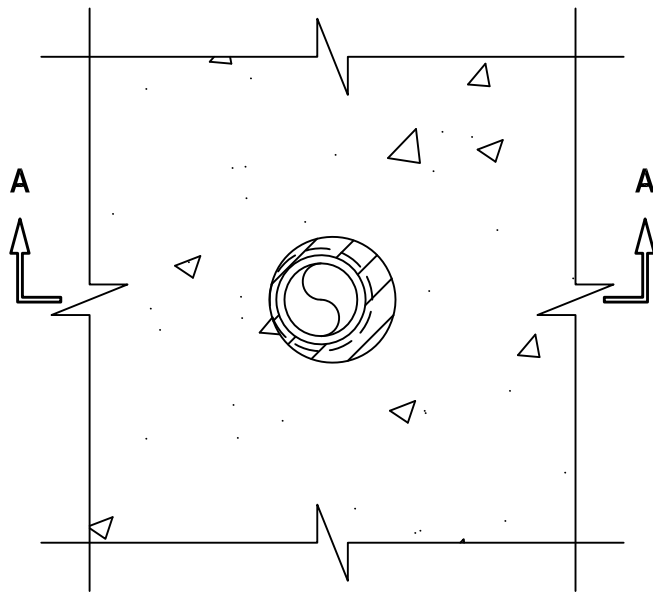
F-RATING = 2-HR.

T-RATING = 1-HR.

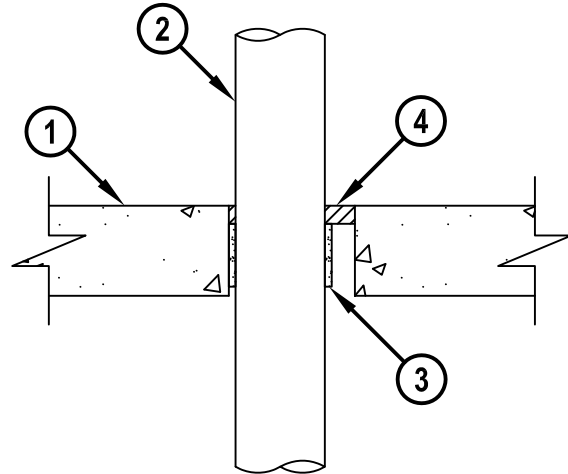
L-RATING AT AMBIENT = LESS THAN 1 CFM / SQ FT

L-RATING AT 400°F = LESS THAN 1 CFM / SQ FT

TOP VIEW



SECTION A-A



CAJ2712a.040615

1. CONCRETE FLOOR OR WALL ASSEMBLY (2-HR. FIRE-RATING) :
 - A. LIGHTWEIGHT OR NORMAL WEIGHT CONCRETE FLOOR (MINIMUM 2-1/2" THICK).
 - B. LIGHTWEIGHT OR NORMAL WEIGHT CONCRETE WALL (MINIMUM 2-3/4" THICK).
 - C. ANY UL CLASSIFIED CONCRETE BLOCK WALL.
2. PENETRATING ITEM TO BE ONE OF THE FOLLOWING :
 - A. MAXIMUM 2" (63mm) NOMINAL DIAMETER FUSIOTHERM (SDR 11) PP PLASTIC PIPE (MANUFACTURED BY AQUATHERM, INC.) (CLOSED PIPING SYSTEM).
 - B. MAXIMUM 2" (63mm) NOMINAL DIAMETER POLYSTAR CT-WHITE (SDR 11) PP PLASTIC PIPE (MANUFACTURED BY ORION) (CLOSED PIPING SYSTEM).
3. HILTI CP 648E WRAP STRIP (NOMINAL 3/16" THICK x 1-3/4" WIDE) CONTINUOUSLY WRAPPED AROUND THE OUTER CIRCUMFERENCE OF THE PIPE, COVERING ONE TIME, WITH ENDS BUTTED AND HELD IN PLACE WITH TAPE. WRAP STRIP RECESSED 1/4" FROM BOTTOM SURFACE OF CONCRETE FLOOR.
4. MINIMUM 1/2" DEPTH HILTI FS-ONE MAX INTUMESCENT FIRESTOP SEALANT FLUSH WITH TOP SURFACE OF FLOOR.

NOTES : 1. MAXIMUM DIAMETER OF OPENING = 3-1/2".
2. ANNULAR SPACE = MINIMUM 3/16", MAXIMUM 13/16".
3. HILTI CP 648E WRAP STRIP AND HILTI FS-ONE MAX INTUMESCENT FIRESTOP SEALANT ARE REQUIRED ON BOTH SIDES OF A WALL.



HILTI, Inc.
Tulsa, Oklahoma USA (800) 879-8000

Sheet	1 of 1
Scale	3/16" = 1"
Date	Apr. 06, 2015

Drawing No.

**CAJ
2712a**

Saving Lives through Innovation and Education