

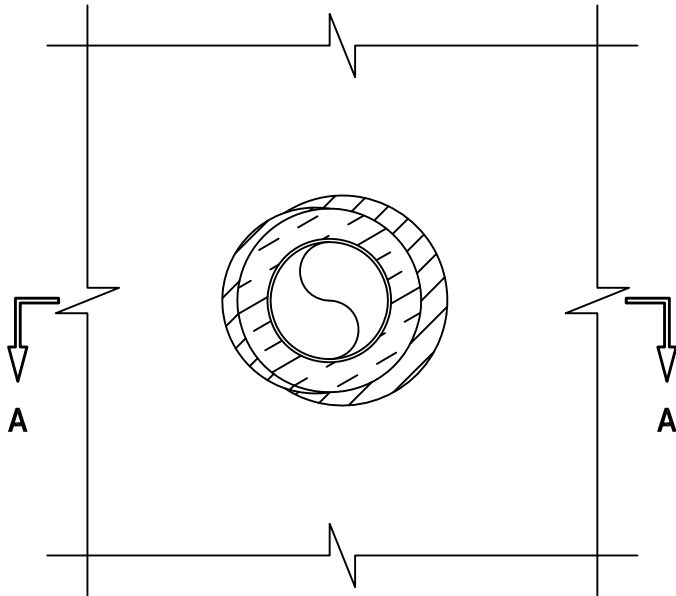
INSULATED PIPE THROUGH WOOD FLOOR/CEILING ASSEMBLY

F-RATING = 1-HR. OR 2-HR.

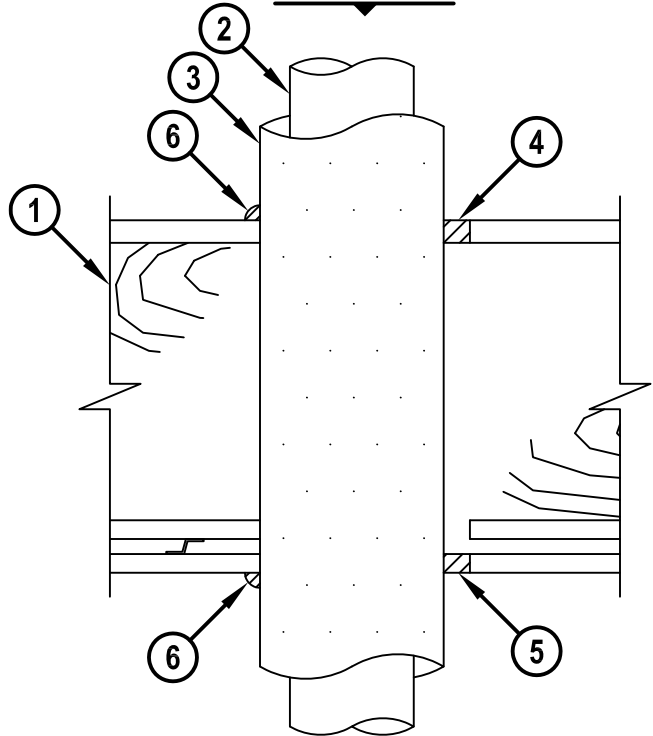
T-RATING = 1-HR. OR 2-HR.

FC5088a.040615

BOTTOM VIEW



SECTION A-A



1. WOOD FLOOR/CEILING ASSEMBLY (UL/cUL CLASSIFIED L500 SERIES) (1-HR. OR 2-HR. FIRE-RATING) (2-HR. SHOWN).
2. PENETRATING ITEM TO BE ONE OF THE FOLLOWING :
 - A. MAXIMUM 4" NOMINAL DIAMETER STEEL PIPE (SCHEDULE 10 OR HEAVIER).
 - B. MAXIMUM 4" NOMINAL DIAMETER CAST OR DUCTILE IRON PIPE.
 - C. MAXIMUM 4" NOMINAL DIAMETER COPPER PIPE OR TUBING.
3. NOMINAL 1" THICK GLASS-FIBER PIPE INSULATION.
4. MINIMUM 3/4" DEPTH HILTI FS-ONE MAX INTUMESCENT FIRESTOP SEALANT.
5. MINIMUM 5/8" DEPTH HILTI FS-ONE MAX INTUMESCENT FIRESTOP SEALANT.
6. MINIMUM 1/2" BEAD HILTI FS-ONE MAX INTUMESCENT FIRESTOP SEALANT APPLIED AT POINT OF CONTACT.

NOTES : 1. MAXIMUM DIAMETER OF OPENING = 7".
 2. ANNULAR SPACE = MINIMUM 0", MAXIMUM 1/2".
 3. CHASE WALL [NOT SHOWN, OPTIONAL] - THE THROUGH PENETRANT MAY BE ROUTED THROUGH A 1-HR. OR 2-HR. RATED GYPSUM CHASE WALL.



HILTI, Inc.
 Tulsa, Oklahoma USA (800) 879-8000

Sheet	1 of 1
Scale	5/32" = 1"
Date	Apr. 06, 2015

Drawing No.
FC 5088a