

UL SYSTEM NO. W-L-2603

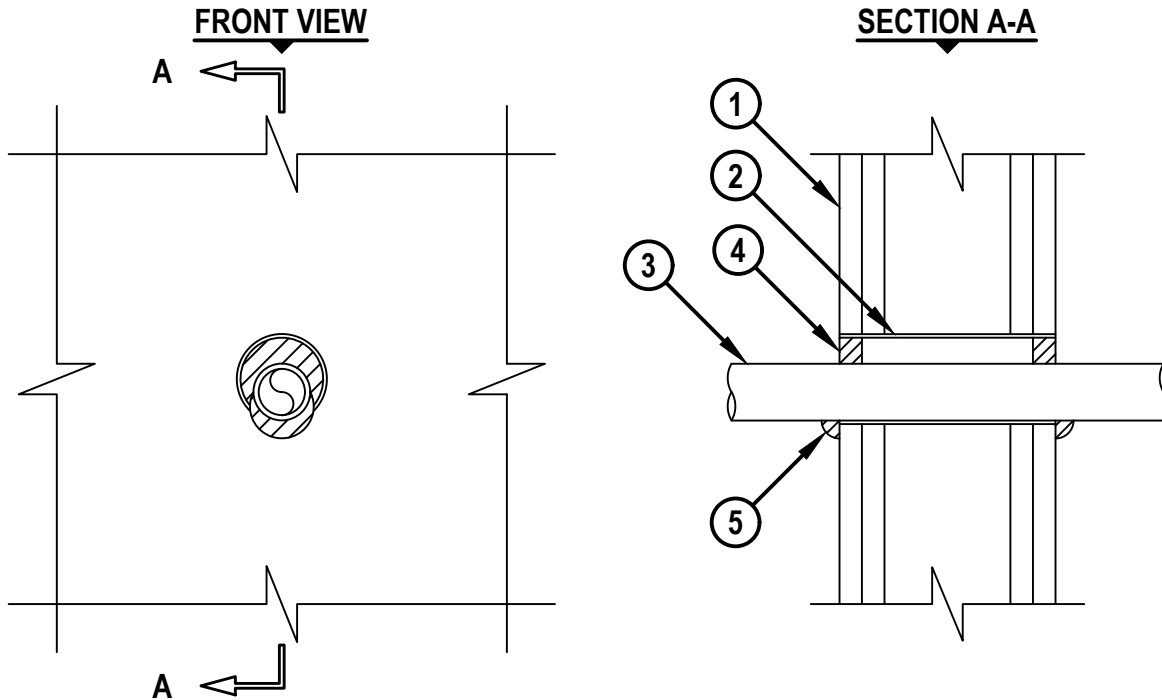
PLASTIC PIPE THROUGH GYPSUM WALL ASSEMBLY

F-RATING = 1-HR. OR 2-HR.

T-RATING = 0-HR., 1-HR., 1 1/2-HR., 1 3/4-HR., OR 2-HR. (SEE TABLE BELOW)

L-RATING AT AMBIENT = LESS THAN 1 CFM / SQ FT

L-RATING AT 400°F = 4 CFM / SQ FT



WL2603f.091322

1. GYPSUM WALL ASSEMBLY (UL CLASSIFIED U300, U400, V400, OR W400 SERIES) (1-HR. OR 2-HR. FIRE-RATING) (2-HR. SHOWN) TO INCLUDE THE FOLLOWING CONSTRUCTION FEATURES :
 - A. [NOT SHOWN] WOOD STUDS TO CONSIST OF NOMINAL 2" x 4" LUMBER (SPACED MAXIMUM 16" OC). STEEL STUDS TO BE MINIMUM 3-1/2" WIDE (SPACED MAXIMUM 24" OC).
 - B. NOMINAL 5/8" THICK GYPSUM WALLBOARD. TYPE, NUMBER OF LAYERS, AND SHEET ORIENTATION AS SPECIFIED IN THE INDIVIDUAL UL DESIGN.
2. [OPTIONAL, EXCEPT WHEN PIPE TYPES 3F, 3G, 3H, 3I, AND 3J BELOW ARE USED] MAXIMUM 2-1/2" DIAMETER SHEET METAL SLEEVE (MIN. 28 GA.) WITH 1" OVERLAP ALONG LONGITUDINAL SEAM.

HILTI
Hilti Firestop Systems

HILTI, Inc.
Plano, Texas USA (800) 879-8000

Sheet	1 of 2
Scale	3/16" = 1"
Date	Sep. 13, 2022

Drawing No.
WL
2603f

Saving Lives through Innovation and Education

UL SYSTEM NO. W-L-2603

PLASTIC PIPE THROUGH GYPSUM WALL ASSEMBLY

F-RATING = 1-HR. OR 2-HR.

T-RATING = 0-HR., 1-HR., 1 1/2-HR., 1 3/4-HR., OR 2-HR. (SEE TABLE BELOW)

L-RATING AT AMBIENT = LESS THAN 1 CFM / SQ FT

L-RATING AT 400°F = 4 CFM / SQ FT

WL2603f.091322

3. PENETRATING ITEM TO BE ONE OF THE FOLLOWING :

- A. MAXIMUM 1-1/4" (40 MM) NOMINAL DIAMETER POLYSTAR CT-WHITE (SDR 11) POLYPROPYLENE (PP) PLASTIC PIPE (MANUFACTURED BY ORION) (CLOSED PIPING SYSTEM).
- B. MAXIMUM 1" (32 MM) NOMINAL DIAMETER POLYSTAR CT-WHITE (SDR 9) POLYPROPYLENE (PP) PLASTIC PIPE (MANUFACTURED BY ORION) (CLOSED PIPING SYSTEM).
- C. MAXIMUM 3/4" (25 MM) NOMINAL DIAMETER POLYSTAR CT-WHITE (SDR 7.4) POLYPROPYLENE (PP) PLASTIC PIPE (MANUFACTURED BY ORION) (CLOSED PIPING SYSTEM).
- D. MAXIMUM 1-1/4" (40 MM) NOMINAL DIAMETER COSMOPLAST (SDR 6) POLYPROPYLENE (PP-R) PLASTIC PIPE (CLOSED PIPING SYSTEM).
- E. MAXIMUM 1-1/4" (40 MM) NOMINAL DIAMETER COPRAX (SDR 6) POLYPROPYLENE (PP-R) PLASTIC PIPE (CLOSED PIPING SYSTEM).
- F. MAXIMUM 2" (63 MM) NOMINAL DIAMETER AQUATHERM GREENPIPE POLYPROPYLENE (PP-R) PIPE (SDR 7.3, 7.4, OR 9) (CLOSED PIPING SYSTEM).
- G. MAXIMUM 2" (63 MM) NOMINAL DIAMETER AQUATHERM BLUEPIPE POLYPROPYLENE (PP-RCT) PIPE (SDR 9) (CLOSED PIPING SYSTEM).
- H. MAXIMUM 2" (63 MM) NOMINAL DIAMETER NUPI AMERICAS NIRON POLYPROPYLENE (PP-RCT) PIPE (SDR 7.3 OR 9) (CLOSED PIPING SYSTEM).
- I. MAXIMUM 2" (63 MM) NOMINAL DIAMETER AQUATECHNIK NA FUSION-TECH POLYPROPYLENE (PP-RCT) PIPE (SDR 7.4) (CLOSED PIPING SYSTEM).
- J. MAXIMUM 2" (63 MM) NOMINAL DIAMETER UPONOR POLYPROPYLENE (PP-RCT) PIPE (SDR 9 OR 11) (CLOSED OR VENTED PIPING SYSTEM).

4. MINIMUM 5/8" DEPTH HILTI FS-ONE MAX INTUMESCENT FIRESTOP SEALANT.

5. MINIMUM 1/2" BEAD HILTI FS-ONE MAX INTUMESCENT FIRESTOP SEALANT APPLIED AT POINT OF CONTACT.

PENETRANT TYPE	T-RATING FOR 1-HR RATED WALLS (HR)	T-RATING FOR 2-HR RATED WALLS (HR)	SLEEVE ALLOWED
3A, 3B, 3C	0	1-3/4	YES
3D, 3E	1	2	YES
3F, 3G, 3H, 3I, 3J	0	1	NO

**NOTES : 1. DIAMETER OF OPENING TO BE 1" LARGER THAN OUTSIDE DIAMETER OF THE PENETRANT.
 2. ANNULAR SPACE = MINIMUM 0", MAXIMUM 1".**



Hilti Firestop Systems

HILTI, Inc.
Plano, Texas USA (800) 879-8000

Sheet	2 of 2
Scale	-
Date	Sep. 13, 2022

Drawing No.

**WL
2603f**

Saving Lives through Innovation and Education