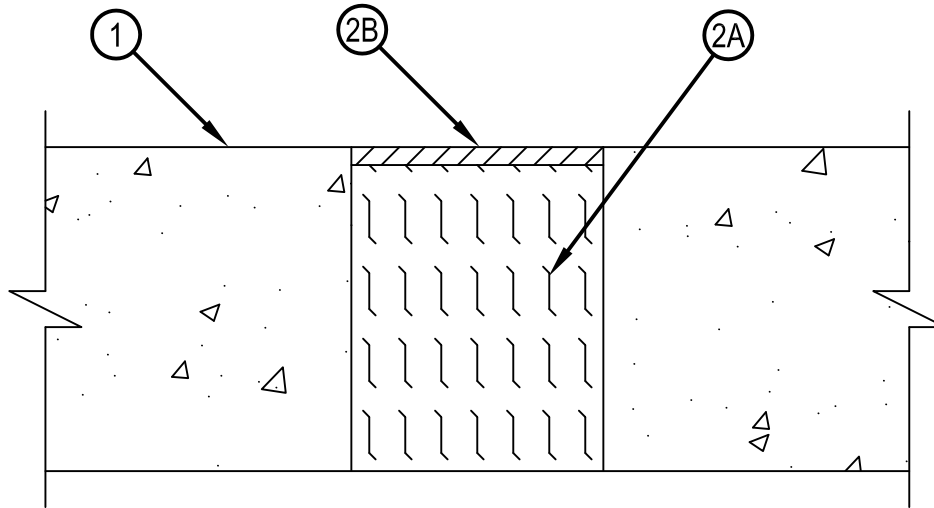


System No. FF-D-1011



Classified by
Underwriters Laboratories, Inc.
to UL 2079 and CAN/ULC-S115

ANSI/UL2079	CAN/ULC S115
Assembly Rating — 3 Hr	F Rating — 3 Hr
Nominal Joint Width - 3-1/2 In.	FT Rating — 3 Hr
Class II Movement Capabilities — 14% Compression Or Extension	FH Rating — 3 Hr
	FTH Rating — 3 Hr
	Nominal Joint Width - 3-1/2 In.
	Class II Movement Capabilities — 14% Compression Or Extension



1. Floor Assembly — Min 4-1/2 in. thick reinforced lightweight or normal weight (100-150 pcf) structural concrete.
2. Joint System — Max width of joint (at time of installation of joint system) is 3-1/2 in. The joint system is designed to accommodate a max 14 percent in compression or extension from its installed width. The joint system shall consist of the following:
 - A. Forming Material — Min 4 pcf mineral wool batt insulation installed in joint opening as a permanent form. Pieces of batt cut to min width of 4-1/4 in. and installed edge-first into joint opening, parallel with joint direction, such that batt sections are compressed min 42 percent in thickness and that the compressed batt sections are recessed from top surface of the floor as required to accommodate the required thickness of fill material. Adjoining lengths of batt to be tightly-butted with butted seams spaced min 24 in. apart along the length of joint.
 - B. Fill, Void or Cavity Material* — Sealant — Min 1/4 in. thickness of fill material applied within the joint, flush with top surface of floor.
HILTI CONSTRUCTION CHEMICALS, DIV OF HILTI INC — CP601s Elastomeric Firestop Sealant, CFS-S SIL GG or CFS-S SIL SL (floors only) Sealant

*Bearing the UL Classification Mark



Hilti Firestop Systems

Reproduced by HILTI, Inc. Courtesy of
Underwriters Laboratories, Inc.
December 26, 2013