

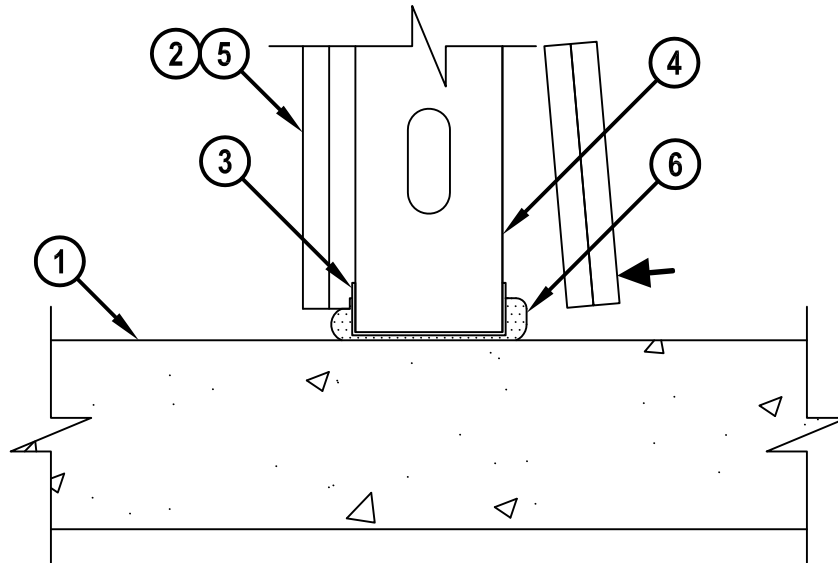
BOTTOM OF WALL JOINT : GYPSUM WALL ASSEMBLY

ASSEMBLY RATING = 1-HR. OR 2-HR.

L-RATING AT AMBIENT = LESS THAN 1 CFM / LIN FT

L-RATING AT 400°F = LESS THAN 1 CFM / LIN FT

CROSS-SECTIONAL VIEW



BWS0039c.042716

1. CONCRETE FLOOR ASSEMBLY (2-HR. FIRE-RATING) :

A. LIGHTWEIGHT OR NORMAL WEIGHT CONCRETE FLOOR (MINIMUM 4-1/2" THICK).

B. ANY UL/cUL CLASSIFIED PRECAST (HOLLOW-CORE) CONCRETE FLOOR (MINIMUM 6" THICK).

2. GYPSUM WALL ASSEMBLY (UL/cUL CLASSIFIED U400, V400, OR W400 SERIES) (1-HR. OR 2-HR. FIRE-RATING) (2-HR. SHOWN).

3. FLOOR RUNNER (MIN. 25 GA., FLANGE HEIGHT OF FLOOR RUNNER SHALL BE MINIMUM 1-1/4") FASTENED TO TOP SIDE OF CONCRETE FLOOR WITH STEEL FASTENERS (SPACED MAX. 12" OC).

4. STEEL STUDS (MINIMUM 3-1/2" WIDE) CUT 1/2" TO 3/4" LESS IN LENGTH THAN ASSEMBLY HEIGHT WITH BOTTOM NESTING IN, RESTING ON, AND FASTENED TO FLOOR RUNNER.

5. 5/8" OR 1-1/4" THICKNESS GYPSUM WALLBOARD AS SPECIFIED IN THE INDIVIDUAL UL DESIGN.

6. HILTI CFS-TTS 358, CFS-TTS 600, OR CFS-TTS OS TOP TRACK SEAL INSTALLED UNDER FLOOR RUNNER PRIOR TO ATTACHMENT TO TOP SIDE OF CONCRETE FLOOR IN ACCORDANCE WITH THE ACCOMPANYING INSTALLATION INSTRUCTIONS.

NOTE : MAXIMUM WIDTH OF JOINT = 3/4".



HILTI, Inc.
Plano, Texas USA (800) 879-8000

Sheet	1 of 1
Scale	7/32" = 1"
Date	Apr. 27, 2016

Drawing No.
**BWS
0039c**