

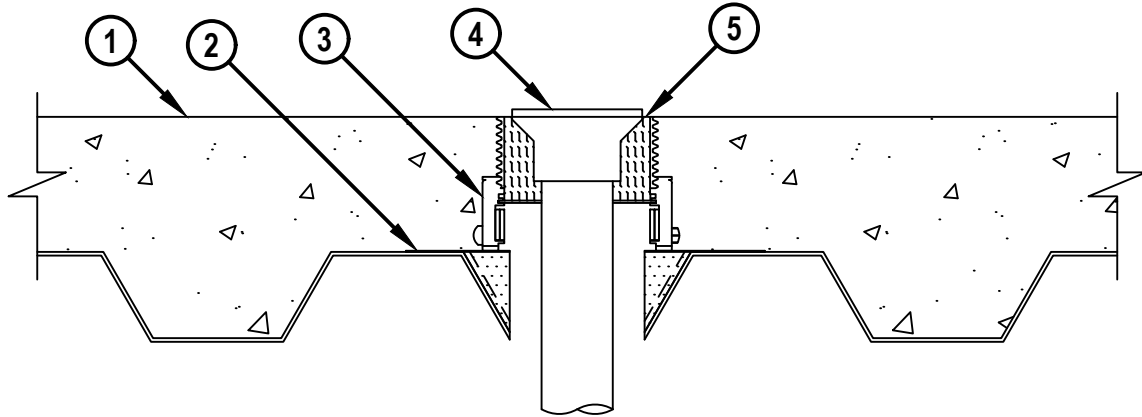
UL SYSTEM NO. F-A-2314

PLASTIC PIPE THROUGH CONCRETE FLOOR OVER METAL DECK ASSEMBLY

F-RATING = 2-HR.

T-RATING = 0-HR.

CROSS-SECTIONAL VIEW



FA 2314a.051619

1. LIGHTWEIGHT OR NORMAL WEIGHT CONCRETE FLOOR (MINIMUM 4-1/2" THICK) OVER METAL DECKING ASSEMBLY (UL/cUL CLASSIFIED D900 SERIES) WITH 2" OR 3" FLUTED DECKS (2-HR. FIRE-RATING).
2. HILTI CFS-CID MD PLT [W2" OR W3"] METAL DECK PLATFORM SECURED TO DECK WITH ONE FASTENER IN EACH CORNER.
3. HILTI CFS-CID MD P [2", 3", OR 4"]/[2.5" OR 4"] FIRESTOP CAST-IN DEVICE FOR METAL DECK WITH EXTENSIONS SECURED TO HILTI CFS-CID MD PLT METAL DECK PLATFORM WITH SCREWS.
4. MAXIMUM 2" NOMINAL DIAMETER PVC PLASTIC PIPE (SCHEDULE 40) (CELLULAR OR SOLID CORE) WITH SHOWER DRAIN FITTING.
5. MINERAL WOOL (MINIMUM 4 PCF DENSITY) TIGHTLY PACKED INTO THE DEVICE FLUSH WITH TOP SURFACE OF THE FLOOR. MINERAL WOOL IS OPTIONAL WHEN HILTI CFS-CID MD P 2" DEVICE IS USED.



Hilti Firestop Systems

HILTI, Inc.
Plano, Texas USA (800) 879-8000

Sheet 1 of 1

Scale 5/32" = 1"

Date May 16, 2019

Drawing No.

**FA
2314a**

Saving Lives through Innovation and Education