

UL SYSTEM NO. F-A-2312

PLASTIC PIPE THROUGH CONCRETE FLOOR OVER METAL DECK ASSEMBLY

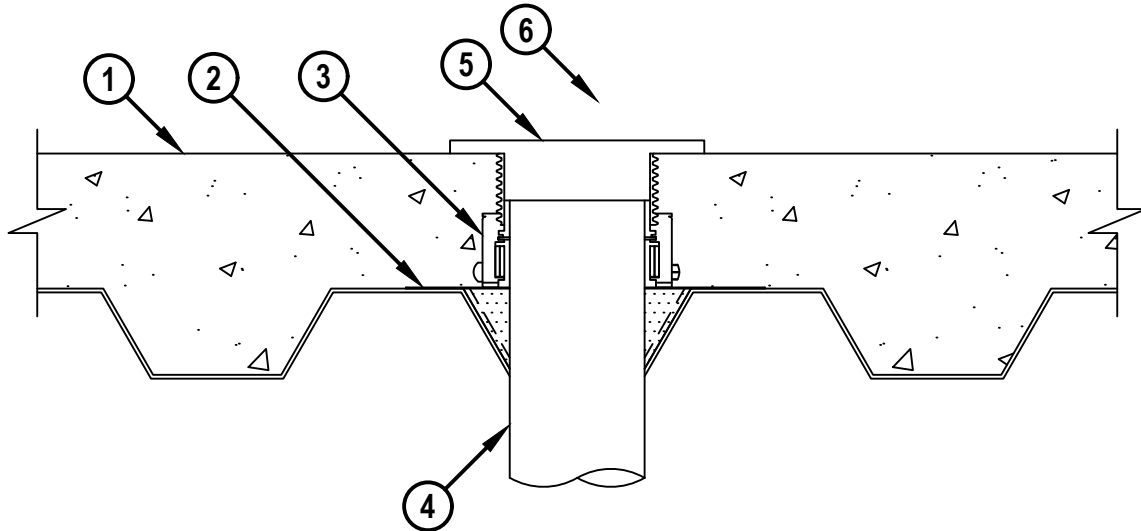
F-RATING = 3-HR.

T-RATING = 0-HR.

L-RATING AT AMBIENT = LESS THAN 1 CFM / SQ FT (SEE NOTE BELOW)

L-RATING AT 400°F = LESS THAN 1 CFM / SQ FT (SEE NOTE BELOW)

CROSS-SECTIONAL VIEW



FA2312a.051619

1. LIGHTWEIGHT OR NORMAL WEIGHT CONCRETE FLOOR (MINIMUM 4-1/2" THICK) OVER METAL DECKING ASSEMBLY (UL/cUL CLASSIFIED D900 SERIES) WITH 2" OR 3" FLUTED DECKS (3-HR. FIRE-RATING).
2. HILTI CFS-CID MD PLT [W2" OR W3"] METAL DECK PLATFORM SECURED TO DECK WITH ONE FASTENER IN EACH CORNER.
3. HILTI CFS-CID MD P [3" OR 4"]/[2.5" OR 4"] FIRESTOP CAST-IN DEVICE FOR METAL DECK WITH EXTENSIONS SECURED TO HILTI CFS-CID MD PLT METAL DECK PLATFORM WITH SCREWS.
4. DRAIN PIPING AND FITTINGS TO BE ONE OF THE FOLLOWING :
 - A. NOMINAL 3" OR 4" DIAMETER PVC PLASTIC PIPE (SCHEDULE 40) CELLULAR OR SOLID CORE).
 - B. NOMINAL 3" OR 4" DIAMETER ABS PLASTIC PIPE (SCHEDULE 40) CELLULAR OR SOLID CORE).
5. PVC OR ABS CLOSET FLANGE SIZED TO ACCOMMODATE DRAIN PIPE. CLOSET FLANGE SECURED TO CONCRETE FLOOR WITH STEEL SCREWS.
6. [NOT SHOWN] FLOOR MOUNTED VITREOUS CHINA WATER CLOSET.

NOTE : L-RATING ONLY APPLIED WHEN DIAMETER OF PIPE EQUALS SIZE OF DEVICE (3" PIPE IN 3" DEVICE, ETC.).



HILTI, Inc.
Plano, Texas USA (800) 879-8000

Sheet	1 of 1
Scale	5/32" = 1"
Date	May 16, 2019

Drawing No.

**FA
2312a**

Saving Lives through Innovation and Education