

UL SYSTEM NO. F-A-2311

FGG/BM= SYSTEM COMPATIBLE

PLASTIC PIPE THROUGH CONCRETE FLOOR OVER METAL DECK ASSEMBLY

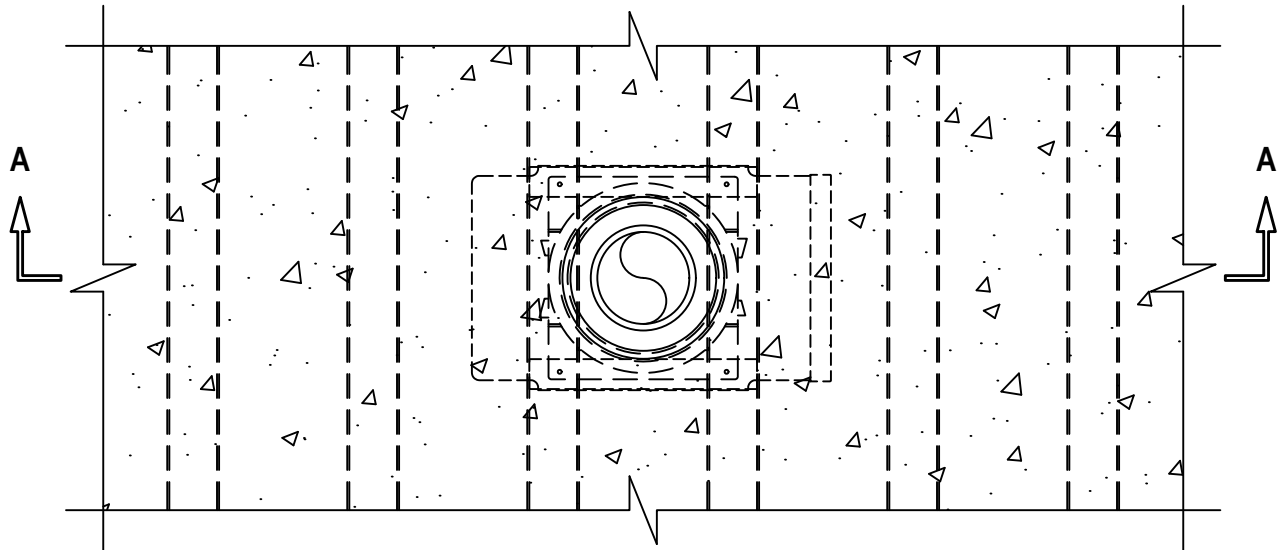
F-RATING = 2-HR. OR 3-HR.

T-RATING = 0-HR.

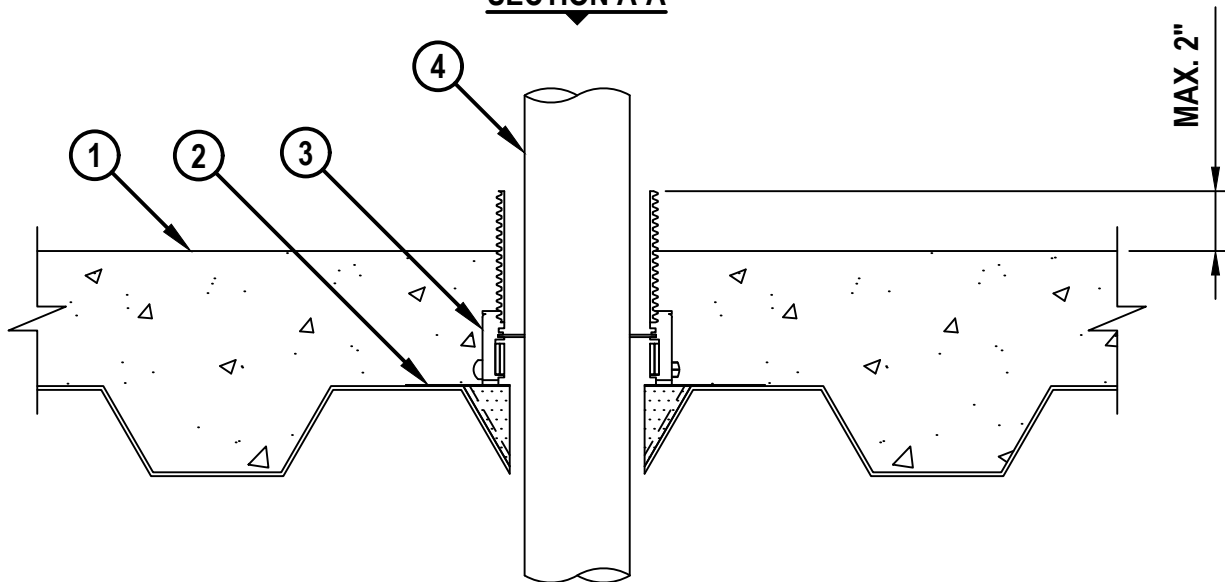
W-RATING = CLASS 1 (SEE NOTES NO. 2 AND 3 BELOW)

FA2311a051319

TOP VIEW



SECTION A-A



HILTI, Inc.
Plano, Texas USA (800) 879-8000

Sheet	1 of 2
Scale	5/32" = 1"
Date	May 13, 2019

Drawing No.

**FA
2311a**

Saving Lives through Innovation and Education

PLASTIC PIPE THROUGH CONCRETE FLOOR OVER METAL DECK ASSEMBLY

F-RATING = 2-HR. OR 3-HR.

T-RATING = 0-HR.

W-RATING = CLASS 1 (SEE NOTES NO. 2 AND 3 BELOW)

1. LIGHTWEIGHT OR NORMAL WEIGHT CONCRETE FLOOR OVER METAL DECKING ASSEMBLY (UL/cUL CLASSIFIED D900 SERIES) WITH 2" OR 3" FLUTED DECKS :
 - A. MINIMUM 2-1/2" THICK (2-HR. FIRE-RATING).
 - B. MINIMUM 4-1/2" THICK (3-HR. FIRE-RATING).
2. HILTI CFS-CID MD PLT [W2" OR W3"] METAL DECK PLATFORM SECURED TO DECK WITH ONE FASTENER IN EACH CORNER.
3. HILTI CFS-CID MD P [2", 3", OR 4"]/[2.5" OR 4"] FIRESTOP CAST-IN DEVICE FOR METAL DECK SECURED TO HILTI CFS-CID MD PLT METAL DECK PLATFORM WITH SCREWS. THE 2.5" HEIGHT DEVICES ARE INTENDED FOR A 2-1/2" CONCRETE TOPPING AND THE 4" HEIGHT DEVICES ARE FOR CONCRETE TOPPINGS GREATER THAN 2-1/2" THICK.
4. PENETRATING ITEM TO BE ONE OF THE FOLLOWING (CLOSED PIPING SYSTEM) :
 - A. MAXIMUM 2" NOMINAL DIAMETER FLOWGUARD GOLD® CPVC PIPE (SDR 11).
 - B. MAXIMUM 3" NOMINAL DIAMETER BLAZEMASTER® CPVC PIPE (SDR 13.5).
5. [NOT SHOWN] HILTI IPS OR CPS TOP SEAL PLUG INSTALLED FLUSH WITH TOP SIDE OF DEVICE AROUND NOMINAL PIPE SIZES 1/2" TO 1-1/2". TOP SEALS ARE OPTIONAL ON 1-1/2" DIAMETER PIPES.

NOM PIPE DIAMETER	FIRESTOP DEVICE	MAXIMUM EXTENSION OF DEVICE ABOVE FLOOR
1-1/2 TO 2 IN.	CFS-CID MD P 2"	NOT RESTRICTED
3 IN.	CFS-CID MD P 3", CFS-CID MD P 4"	2"

NOTES : 1. WHEN PIPE DIAMETER IS SMALLER THAN INDICATED ABOVE, A MINIMUM 4" THICKNESS TIGHTLY PACKED MINERAL WOOL (MIN. 4 PCF DENSITY) SHALL BE APPLIED WITHIN THE ANNULUS BETWEEN THE PIPE AND PERIPHERY OF DEVICE, FLUSH WITH TOP SURFACE OF DEVICE.

2. W-RATING FOR TOP SEAL ONLY APPLIES TO THE IPS TOP SEAL PLUG AND 2" PIPES, AND TO CPS TOP SEAL PLUGS WITH 1/2" TO 2" PIPES.

3. WATER BARRIER MODULE MAY BE THREADED ON TOP OF CAST-IN FIRESTOP DEVICE FOR NOMINAL 2", 3", AND 4" PLASTIC PIPES (LISTED ABOVE). W-RATING WITH WATER BARRIER MODULE ONLY APPLIES WHEN DIAMETER OF PIPE EQUALS SIZE OF MODULE.

 Hilti Firestop Systems	HILTI, Inc. Plano, Texas USA (800) 879-8000	Sheet 2 of 2	Drawing No. FA 2311a
		Scale -	
		Date May 13, 2019	
<i>Saving Lives through Innovation and Education</i>			