

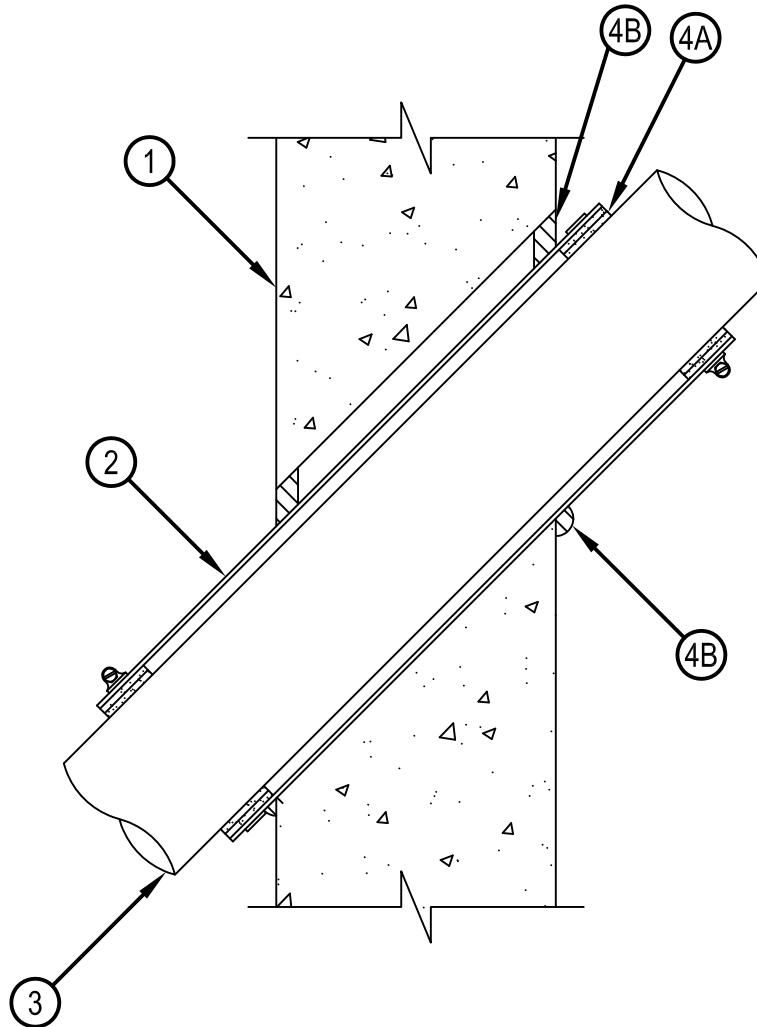


Classified by
Underwriters Laboratories, Inc.
to UL 1479

System No. W-J-2120

F Rating - 2 Hr
T Rating - 1 Hr

WJ 2120



1. Wall Assembly — Min 5 in. (127 mm) thick reinforced lightweight or normal weight (100-150 pcf or 1600-2400 kg/m³) concrete Wall may also be constructed of any UL Classified Concrete Blocks*. Max diam of opening is 6 in. (152 mm).
See Concrete Blocks (CAZT) category in the Fire Resistance Directory for names of manufacturers.
2. Steel Sleeve — Nom 5-1/4 in. (133 mm) diam cylindrical sleeve fabricated from 0.016 in. thick (No 28 gauge) galv sheet steel and having a min 1 in. (25 mm) lap along longitudinal seam. Sleeve to extend 2 in. min beyond each surface of wall. The sleeve shall be compressed around the pipe (Item 3) and wrap strip (Item 4A) using 1/2 in. (13 mm) wide by 0.028 in. (0.7 mm) thick stainless steel band clamps fastened at the center of each wrap strip. The annular space between the sleeve the periphery of the opening shall be a min 0 in. (point contact) to max 3/4 in. (19 mm).



Hilti Firestop Systems

Reproduced by HILTI, Inc. Courtesy of
Underwriters Laboratories, Inc.
January 21, 2015



Classified by
Underwriters Laboratories, Inc.
to UL 1479

System No. W-J-2120

F Rating - 2 Hr
T Rating - 1 Hr

WJ 2120

3. Through-Penetrants — One nonmetallic pipe to be installed concentrically or eccentrically within the firestop system. Pipe may be installed at an angle not greater than 45 degrees from perpendicular. Pipe to be rigidly supported on both sides of wall assembly. The following types and sizes of nonmetallic pipes may be used:
- A. Acrylonitrile Butadiene Styrene (ABS) Pipe — Nom 4 in. (102 mm) diam (or smaller) Schedule 40 solid or cellular core ABS pipe, for use in closed (process or supply) or vented (drain, waste or vent) piping systems.
 - B. Polyvinyl Chloride (PVC) Pipe — Nom 4 in (102 mm) diam (or smaller) Schedule 40 solid or cellular PVC core pipe, for use in closed (process or supply) or vented (drain, waste or vent) piping systems.
 - C. Chlorinated Polyvinyl Chloride (CPVC) Pipe — Nom 4 in. (102 mm) diam (or smaller) SDR13.5 CPVC pipe. CPVC pipe for use in closed (process or supply) piping systems.
4. Firestop System — The firestop system shall consist of the following:
- A. Fill, Void or Cavity Material - Wrap Strip — Nom 3/16 in. (5 mm) thick by 1-3/4 in. (44 mm) wide intumescent wrap strip. Two layers of wrap strip are continuously wrapped around the pipe and held in place with tape. Wrap strip is installed within the steel sleeve on each side of the wall, flush with ends of sleeve.
HILTI CONSTRUCTION CHEMICALS, DIV OF HILTI INC — CP658-E W45/1-3/4" Wrap Strip
 - B. Fill, Void or Cavity Material - Sealant* — Min 5/8 in. (16 mm) thickness of fill material applied within annulus between concrete and steel sleeve, flush with surfaces of wall. At point contact, a min 1/2 in. (13 mm) bead of fill material shall be applied at the concrete/steel sleeve interface on both sides of wall.
HILTI CONSTRUCTION CHEMICALS, DIV OF HILTI INC — FS-ONE Sealant or FS-ONE MAX Intumescent Sealant.

* Indicates such products shall bear the UL or cUL Certification Mark for jurisdictions employing the UL or cUL Certification (such as Canada), respectively.



Hilti Firestop Systems

Reproduced by HILTI, Inc. Courtesy of
Underwriters Laboratories, Inc.
January 21, 2015

Page: 2 of 2